

PARTS CATALOG
P-1034-06
FOR YOUR GAS OR ELECTRIC RANGE



IMPORTANT INFORMATION

The model and serial number of your range is stamped on the number plate. This plate is located on the burner box bottom underneath the top burners, or at the base of the front frame.

Always give the full model and serial number of your range in any communication concerning service.

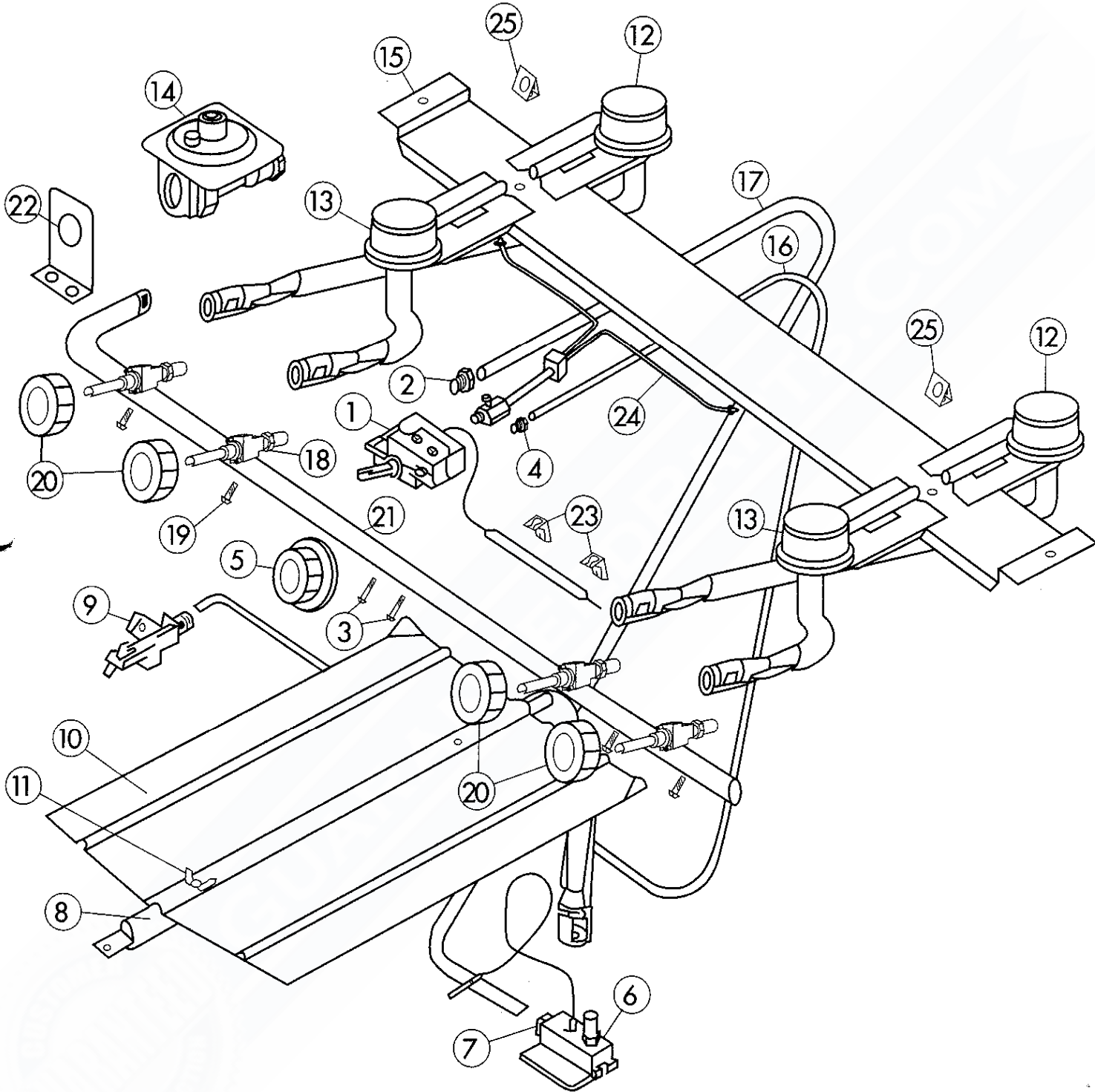
When ordering repair parts always state color, model and serial numbers, along with the quantity, part name, part number, and brand name.

PILOT IGNITION TOP BURNERS & OVEN BURNERS

| Ref. | | 20 | 24 | 30 | 36 |
|------|--------------------------------------|-------|-------|-------|-------|
| No. | DESCRIPTION | INCH | INCH | INCH | INCH |
| 1 | OVEN THERMOSTAT | 1194 | 1194 | 1194 | 1194 |
| 2 | OVEN THERMOSTAT 3/8" LOXIT FITTING | 1068 | 1068 | 1068 | 1068 |
| 3 | OVEN THERMOSTAT BOLTS | 1196 | 1196 | 1196 | 1196 |
| 4 | OVEN THERMOSTAT 3/16" LOXIT FITTING | 60008 | 60008 | 60008 | 60008 |
| 5 | OVEN THERMOSTAT DIAL- BLACK | 6255 | 6255 | 6255 | 6255 |
| | OVEN THERMOSTAT DIAL-WHITE | 6255W | 6255W | 6255W | 6255W |
| 6 | OVEN SAFETY VALVE | 1285 | 1285 | 1286 | 1285 |
| 7 | OVEN SAFETY VALVE 3/8" LOXIT FITTING | 1068 | 1068 | 1068 | 1068 |
| 8 | OVEN BURNER | 1364 | 1364 | 1364 | 1364 |
| 9 | OVEN BURNER PILOT | 1283 | 1283 | 1283 | 1283 |
| | PILOT ORIFICE | 1571 | 1571 | 1571 | 1571 |
| 10 | OVEN BURNER BAFFLE | 59035 | 59035 | 59035 | 59035 |
| 11 | OVEN BURNER BAFFLE WINGNUT | 59036 | 59036 | 59036 | 59036 |
| 12 | REAR TOP BURNER (BSI) | 1405 | 1399 | 1399 | 1399 |
| | REAR TOP BURNER (MUELLER) | 1415 | ----- | ----- | ----- |
| 13 | FRONT TOP BURNER (BSI) | 1404 | 1398 | 1398 | 1398 |
| | FRONT TOP BURNER (MUELLER) | 1414 | ----- | ----- | ----- |
| 14 | GAS PRESSURE REGULATOR | 1972 | 1972 | 1972 | 1972 |
| 15 | TOP BURNER HANGER-BSI | 0541 | 0542 | 0543 | 0545 |
| | TOP BURNER HANGER-MUELLER | 0549 | ----- | ----- | ----- |
| 16 | OVEN PILOT TUBING 3/16" O.D. | 1885 | 1885 | 1885 | 1885 |
| 17 | OVEN SUPPLY TUBING 3/8" O.D. | 1894 | 1894 | 1894 | 1894 |
| 18 | TOP BURNER VALVE- NAT. GAS-BSI | 1250 | 1250 | 1250 | 1250 |
| | TOP BURNER VALVE-NAT. GAS-MUELLER | 1258 | 1258 | 1258 | 1258 |
| 19 | TOP BURNER VALVE BOLT/GASKET-BSI | 1249 | 1249 | 1249 | 1249 |
| | TOP BURNER VALVE BOLT/GASKET-MUELLER | 1259 | 1259 | 1259 | 1259 |
| 20 | TOP BURNER VALVE KNOB- BLACK | 6286 | 6286 | 6286 | 6286 |
| | TOP BURNER VALVE KNOB- WHITE | 6286W | 6286W | 6286W | 6286W |
| 21 | MANIFOLD PIPE | 1792 | 1793 | 1794 | 1797 |
| 22 | MANIFOLD PIPE SUPPORT BRACKET | 0458 | 0459 | 0459 | 0459 |
| 23 | CAPILLARY BULB CLIP | 4770 | 4770 | 4770 | 4770 |
| 24 | TOP BURNER 2-TUBE PILOT | 1503 | 1503 | 1505 | 1506 |
| 25 | TOP BURNER PILOT SHIELD | 0870 | 0870 | 0870 | 0870 |

*See separate section for Griddle and 6-Burner models.

PILOT IGNITION TOP BURNERS & OVEN BURNER

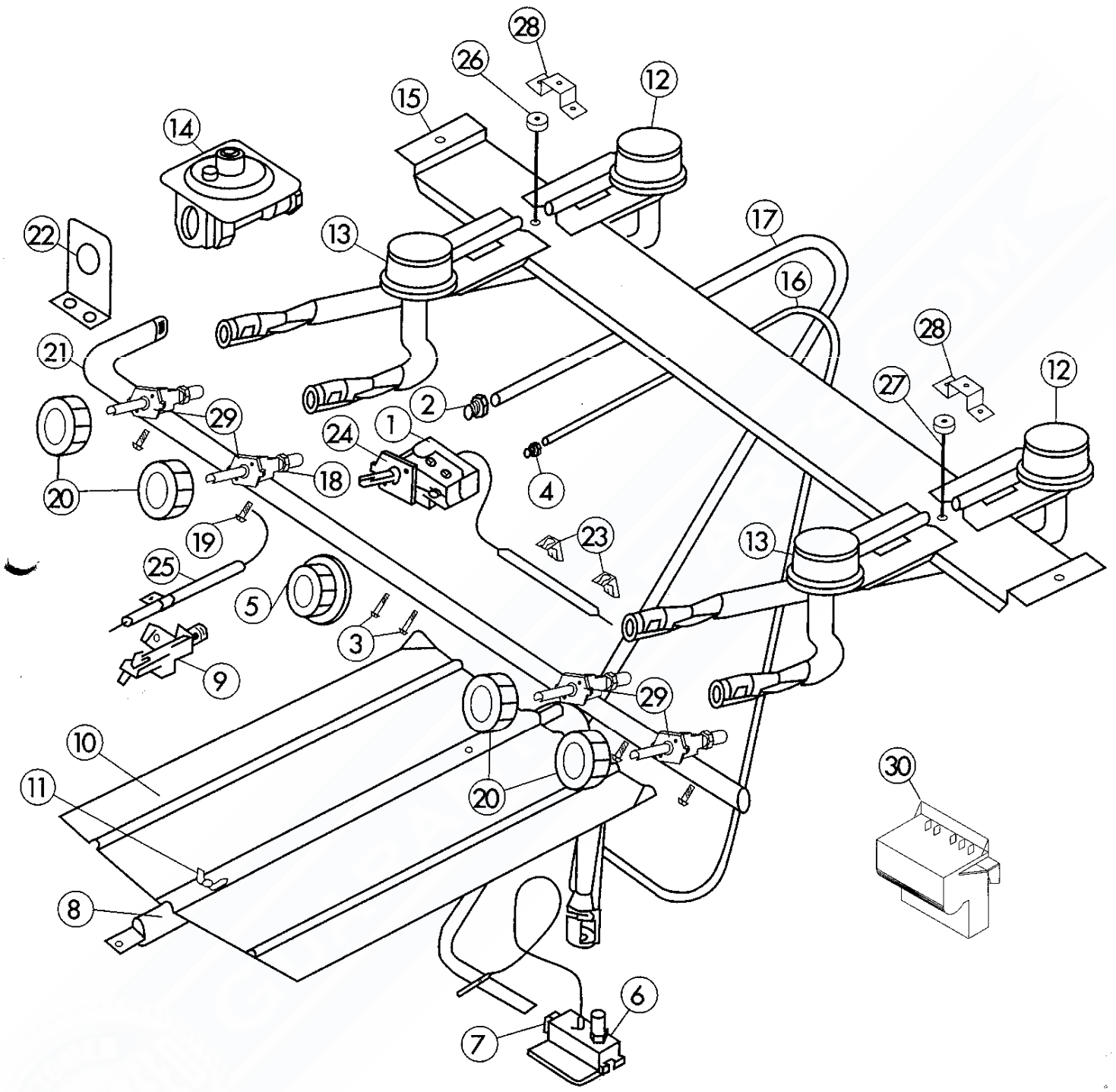


SPARK IGNITION TOP BURNERS & OVEN BURNERS

| Ref. No. | DESCRIPTION | 20 INCH | 24 INCH | 30 INCH | 36 INCH |
|-------------|---|---------------|---------------|---------------|---------------|
| 1 | OVEN THERMOSTAT | 1195 | 1195 | 1195 | 1195 |
| 2 | OVEN THERMOSTAT 3/8" LOXIT FITTING | 1068 | 1068 | 1068 | 1068 |
| 3 | OVEN THERMOSTAT BOLTS | 1196 | 1196 | 1196 | 1196 |
| 4 | OVEN THERMOSTAT 3/16" LOXIT FITTING | 60008 | 60008 | 60008 | 60008 |
| 5 | OVEN THERMOSTAT DIAL- BLACK OVEN THERMOSTAT DIAL-WHITE | 6255 6255W | 6255 6255W | 6255 6255W | 6255 6255W |
| 6 | OVEN SAFETY VALVE | 1285 | 1285 | 1286 | 1285 |
| 7 | OVEN SAFETY VALVE 3/8" LOXIT FITTING | 1068 | 1068 | 1068 | 1068 |
| 8 | OVEN BURNER | 1364 | 1364 | 1364 | 1364 |
| 9 | OVEN BURNER PILOT PILOT ORIFICE | 1284 1571 | 1284 1571 | 1284 1571 | 1284 1571 |
| 10 | OVEN BURNER BAFFLE | 59035 | 59035 | 59035 | 59035 |
| 11 | OVEN BURNER BAFFLE WINGNUT | 59036 | 59036 | 59036 | 59036 |
| 12 | REAR TOP BURNER | 1405 | 1399 | 1399 | 1399 |
| 13 | FRONT TOP BURNER | 1404 | 1398 | 1398 | 1398 |
| 14 | GAS PRESSURE REGULATOR | 1972 | 1972 | 1972 | 1972 |
| 15 | TOP BURNER HANGER-BSI | 0541 | 0542 | 0543 | 0545 |
| 16 | OVEN PILOT TUBING 3/16" O.D. | 1885 | 1885 | 1885 | 1885 |
| 17 | OVEN SUPPLY TUBING 3/8" O.D. | 1894 | 1894 | 1894 | 1894 |
| 18 | TOP BURNER VALVE- NAT. GAS-BSI | 1250 | 1250 | 1250 | 1250 |
| 19 | TOP BURNER VALVE BOLT/GASKET-BSI | 1249 | 1249 | 1249 | 1249 |
| 20 | TOP BURNER VALVE KNOB- BLACK TOP BURNER VALVE KNOB- WHITE | 6286 6286W | 6286 6286W | 6286 6286W | 6286 6286W |
| 21 | MANIFOLD PIPE | 1792 | 1793 | 1794 | 1797 |
| 22 | MANIFOLD PIPE SUPPORT BRACKET | 0458 | 0459 | 0459 | 0459 |
| 23 | CAPILLARY BULB CLIP | 4770 | 4770 | 4770 | 4770 |
| 24 | OVEN THERMOSTAT SWITCH | 1197 | 1197 | 1197 | 1197 |
| 25 | OVEN ELECTRODE | 1490 | 1490 | 1490 | 1490 |
| 26 | TOP BURNER ELECTRODE (LEFT SIDE) | 1486 | 1486 | 1487 | 1487 |
| 27 | TOP BURNER ELECTRODE (RIGHT SIDE) | 1485 | 1485 | 1485 | 1485 |
| 28 | TOP BURNER ELECTRODE GROUND STRAP | 1488 | 1488 | 1488 | 1488 |
| 29 | TOP BURNER VALVE SWITCH** | 1248 | 1248 | 1248 | 1248 |
| 30 | SPARK MODULE 110V-HARPER 2 +1 SPARK MODULE 220V-HARPER 2+1 | 2357 2352 | 2357 2352 | 2357 2352 | 2357 2352 |

** See Separate Section for Spark Ignition Switch Harnesses

SPARK IGNITION TOP BURNERS & OVEN BURNER

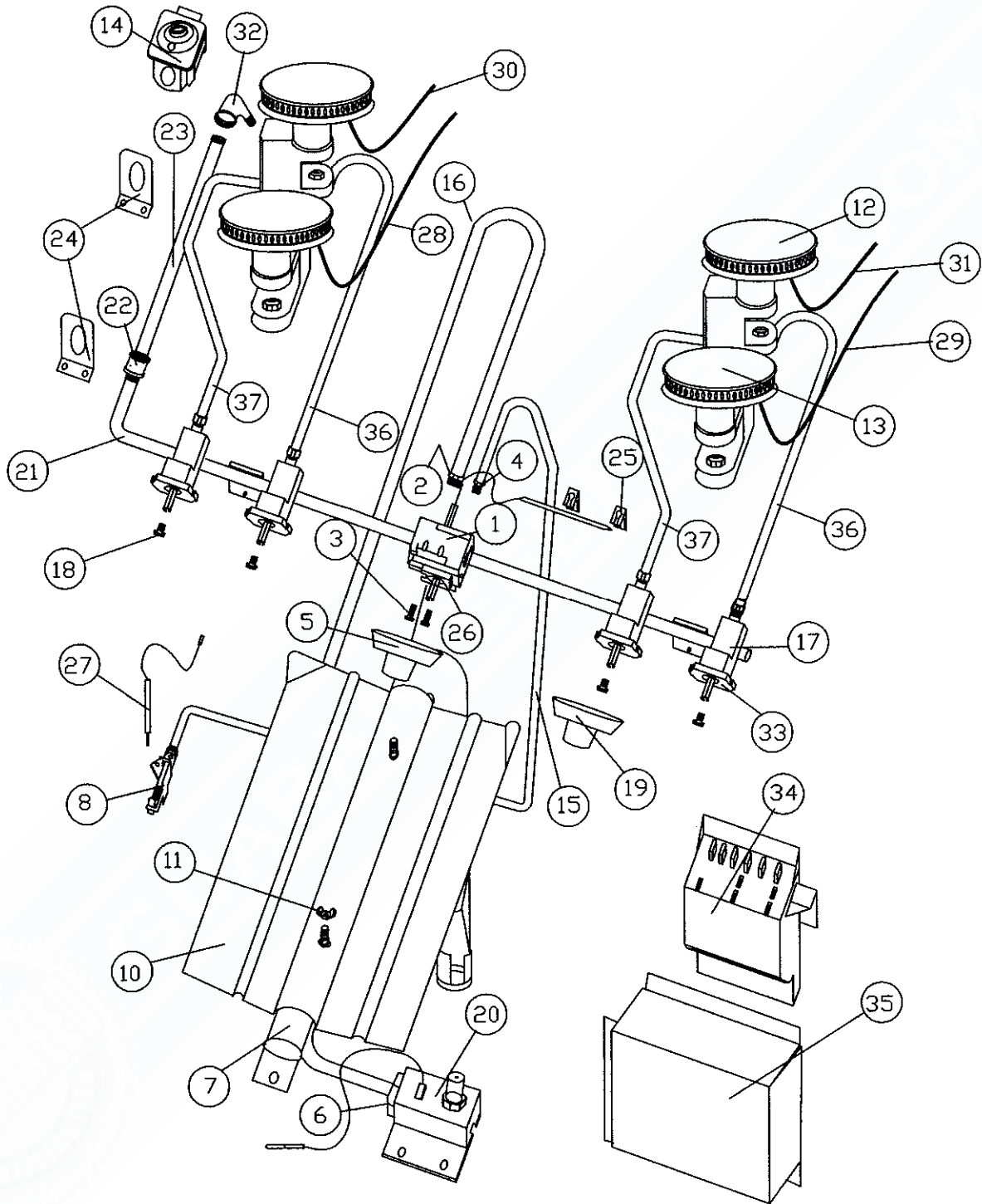


SEALED TOP BURNERS & OVEN BURNER

| Ref. No. | DESCRIPTION | 24 INCH | 30 INCH |
|-------------|---|------------|------------|
| 1 | OVEN THERMOSTAT | 1195 | 1195 |
| 2 | OVEN THERMOSTAT 3/8" LOXIT FITTING | 1068 | 1068 |
| 3 | OVEN THERMOSTAT BOLTS | 1196 | 1196 |
| 4 | OVEN THERMOSTAT 3/16" LOXIT FITTING | 60008 | 60008 |
| 5 | OVEN THERMOSTAT DIAL- BLACK | 6255 | 6255 |
| | OVEN THERMOSTAT DIAL-WHITE | 6255W | 6255W |
| 6 | OVEN SAFETY VALVE 3/8" LOXIT FITTING | 1068 | 1068 |
| 7 | OVEN BURNER | 1364 | 1364 |
| 8 | OVEN BURNER PILOT | 1283 | 1283 |
| | PILOT ORIFICE | 1571 | 1571 |
| 10 | OVEN BURNER BAFFLE | 59035 | 59035 |
| 11 | OVEN BURNER BAFFLE WINGNUT | 59036 | 59036 |
| 12 | REAR TOP BURNER (SEE PAGE ___ FOR COMPONENT PART NUMBER) | | |
| 13 | FRONT TOP BURNER (SEE PAGE ___ FOR COMPONENT PART NUMBER) | | |
| 14 | GAS PRESSURE REGULATOR | 1972 | 1972 |
| 15 | OVEN PILOT TUBING 3/16" O.D. | 1885 | 1885 |
| 16 | OVEN SUPPLY TUBING 3/8" O.D. | 1894 | 1894 |
| 17 | TOP BURNER VALVE | 1260 | 1260 |
| 18 | TOP BURNER VALVE BOLT AND GASKET | 1249 | 1249 |
| 19 | TOP BURNER VALVE KNOB | 6286 | 6286 |
| 20 | OVEN SAFETY VALVE | 1285 | 1285 |
| 21 | MANIFOLD PIPE | 1793 | 1794 |
| 22 | MANIFOLD PIPE COUPLING | 1713 | ----- |
| 23 | MANIFOLD PIPE EXTENSION | 1716 | ----- |
| 24 | MANIFOLD PIPE SUPPORT BRACKET | 0458 | 0458 |
| 25 | CAPILLARY BULB CLIP | 4770 | 4770 |
| 26 | OVEN THERMOSTAT SWITCH | 1197 | 1197 |
| 27 | OVEN ELECTRODE | 1490 | 1490 |
| 28 | TOP BURNER ELECTRODE WIRE (LEFT SIDE FRONT) | 1493 | 1493 |
| 29 | TOP BURNER ELECTRODE WIRE (RIGHT SIDE FRONT) | 1494 | 1494 |
| 30 | TOP BURNER ELECTRODE WIRE (LEFT SIDE REAR) | 1493 | 1493 |
| 31 | TOP BURNER ELECTRODE WIRE (RIGHT SIDE REAR) | 1494 | 1494 |
| 32 | PIPE ELBOW | 1715 | 1715 |
| 33 | TOP BURNER VALVE SWITCH | 1248 | 1248 |
| 34 | SPARK MODULE- 110 VOLT HARPER 4+1 | 2356 | 2356 |
| | SPARK MODULE- 220 VOLT HARPER 4+1 | 2352 | 2352 |
| 35 | MODULE COVER- OPTIONAL | 0979 | 0979 |
| 36 | FRONT BURNER TUBE | 1443 | 1443 |
| 37 | REAR BURNER TUBE | 1444 | 1444 |
| | 1/4" CC NUT | 1440 | 1440 |
| | 1/4" COMPRESSION SLEEVE | 1441 | 1441 |
| | 1/4" LOXIT FITTING | 1427 | 1427 |

** See Separate Section for Spark Ignition Switch Harnesses

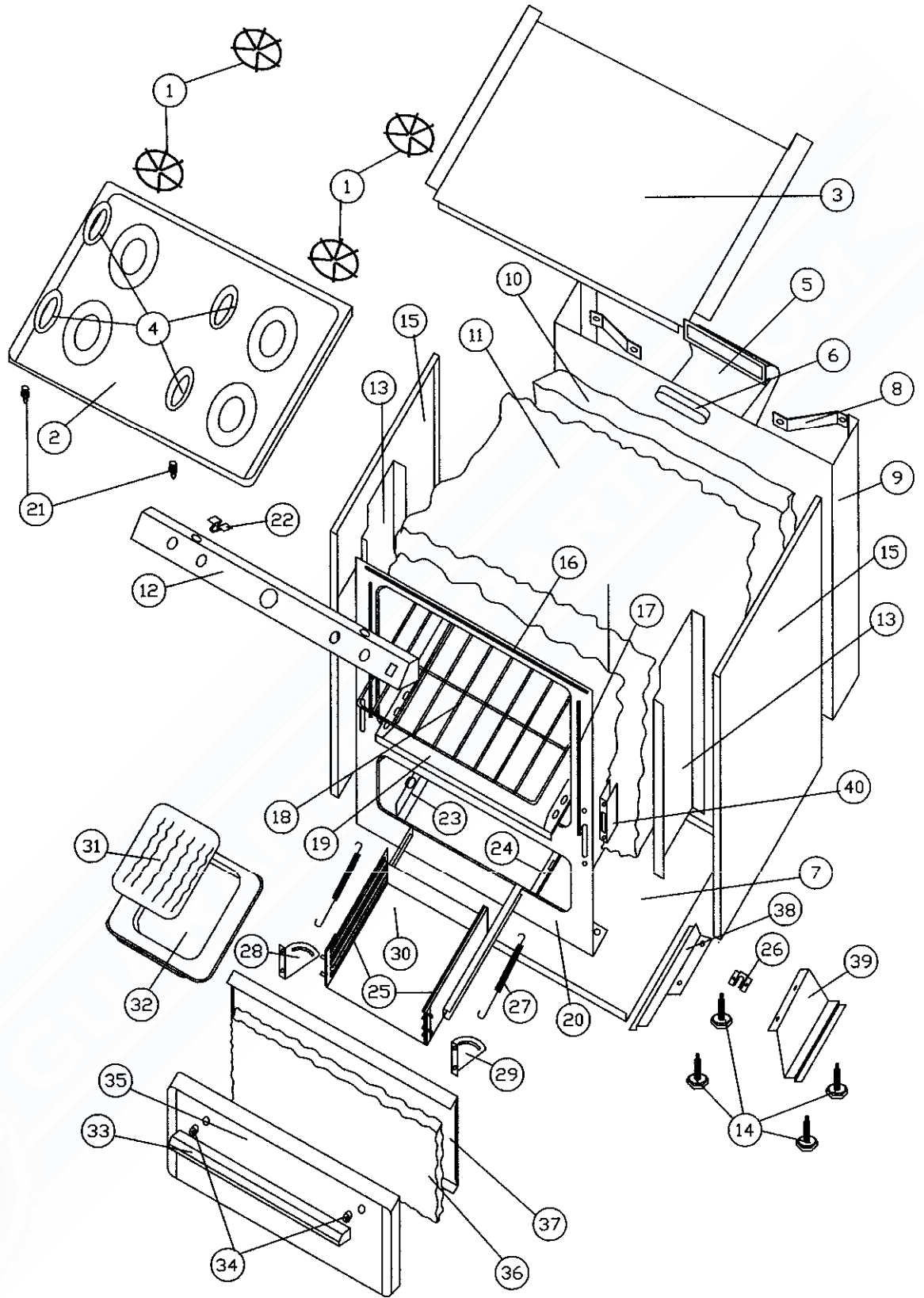
SEALED TOP BURNERS & OVEN BURNER



MAIN BODY FOR 20, 24, & 30 INCH GAS RANGES

| Ref. No. | | 20 INCH | 24 INCH | 30 INCH |
|-------------|---|------------|------------|------------|
| 1 | TOP GRATE | 7080 | 7080 | 7080 |
| | CAST IRON GRATE | 7086 | 7086 | 7086 |
| 2 | MAIN TOP (State Color) | 5275 | 5292 | 5291 |
| 3 | BURNER BOX BOTTOM | 0180 | 0182 | 0184 |
| 4 | CHROME BURNER BOWLS | 7082 | 7082 | 7082 |
| 5 | FLUE BOX | 0668 | 0667 | 0667 |
| 6 | FLUE BOX RING | 0868 | 0868 | 0868 |
| 7 | MAIN BOTTOM | 0256 | 0257 | 0258 |
| 8 | BACK BRACE | 0520 | 0517 | 0517 |
| 9 | MAIN BACK | 0306 | 0313 | 0314 |
| 10 | OVEN BACK INSULATION | 8970 | 8972 | 8971 |
| 11 | OVEN WRAP INSULATION | 8870 | 8870 | 8871 |
| 12 | MANIFOLD COVER- NO SWITCH OPENING (State Color) | 5122 | 5124 | 5126 |
| | MANIFOLD COVER- SWITCH OPENING (State Color) | 5023 | 5125 | 5127 |
| | MANIFOLD COVER DECAL (State Color) | 5010 | 5011 | 5012 |
| 13 | INNER SIDE BAFFLE | 0698 | 0697 | 0697 |
| 14 | LEG LEVELER | 4560 | 4560 | 4560 |
| 15 | MAIN SIDE (State Color) Painted | 5476 | 5486 | 5486 |
| | MAIN SIDE (State Color) Enameled | 5488 | 5490 | 5490 |
| 16 | TOP OVEN DOOR GASKET | 7870 | 7874 | 7872 |
| 17 | SIDE OVEN DOOR GASKET | 7875 | 7875 | 7870 |
| 18 | OVEN RACK | 7470 | 7472 | 7471 |
| 19 | OVEN BOTTOM | 5699 | 5701 | 5733 |
| | OVEN BOTTOM SUPPORT SCREW | ----- | 60109 | 60109 |
| 20 | OVEN FRONT FRAME | 5767 | 5754 | 5755 |
| | OVEN TOP LINING (Regular Enamel) | 5707 | 5711 | 5715 |
| | OVEN TOP LINING (Cont. Clean Enamel) | 5708 | 5712 | 5716 |
| | LEFT OVEN SIDE LINING (Regular Enamel) | 5805 | 5805 | 5805 |
| | LEFT OVEN SIDE LINING (Cont. Clean Enamel) | 5806 | 5806 | 5806 |
| | RIGHT OVEN SIDE LINING (Regular Enamel) | 5807 | 5807 | 5807 |
| | RIGHT OVEN SIDE LINING (Cont. Clean Enamel) | 5808 | 5808 | 5808 |
| | REAR OVEN LINING (Without Light-Regular Enamel) | 5872 | 5876 | 5880 |
| | REAR OVEN LINING (Without Light-Cont. Clean Enamel) | 5874 | 5878 | 5882 |
| | REAR OVEN LINING (With Light-Regular Enamel) | 5873 | 5877 | 5881 |
| | REAR OVEN LINING (With Light-Cont. Clean Enamel) | 5875 | 5879 | 5883 |
| 21 | MAIN TOP STRIKE PIN | 4871 | 4871 | 4871 |
| 22 | MAIN TOP STRIKE PIN CATCH | 4973 | 4973 | 4973 |
| 23 | LEFT BROILER RUNNER WITH BEARINGS | 0570 | 0570 | 0570 |
| 24 | RIGHT BROILER RUNNER WITH BEARINGS | 0571 | 0571 | 0571 |
| 25 | BROILER PAN GLIDES | 5972 | 5972 | 5972 |
| 26 | ANTI-TIP BRACKET | 0500 | 0500 | 0500 |
| 27 | BROILER DOOR SPRINGS | 8070 | 8070 | 8070 |
| 28 | LEFT BROILER HINGE | 8170 | 8170 | 8170 |
| 29 | RIGHT BROILER HINGE | 8171 | 8171 | 8171 |
| 30 | BROILER BODY | 5971 | 5970 | 5970 |
| 31 | BROILER GRILL | 7370 | 7370 | 7370 |
| 32 | BROILER PAN | 7271 | 7270 | 7270 |
| 33 | DOOR HANDLE | 6576 | 6576 | 6576 |
| 34 | DOOR HANDLE SPACER (White) | 4681 | 4681 | 4681 |
| | DOOR HANDLE SPACER (Black) | 4680 | 4680 | 4680 |
| 35 | BROILER DOOR PANEL (State Color) | 5396 | 5397 | 5405 |
| 36 | BROILER DOOR INSULATION | 8810 | 8812 | 8811 |
| 37 | BROILER DOOR LINING | 5553 | 5554 | 5565 |
| 38 | LEFT REAR SIDE SUPPORT | 0535 | 0535 | 0535 |
| 39 | RIGHT REAR SIDE SUPPORT | 0536 | 0536 | 0536 |
| 40 | HINGE RECEIVER | ----- | 8194 | 8194 |

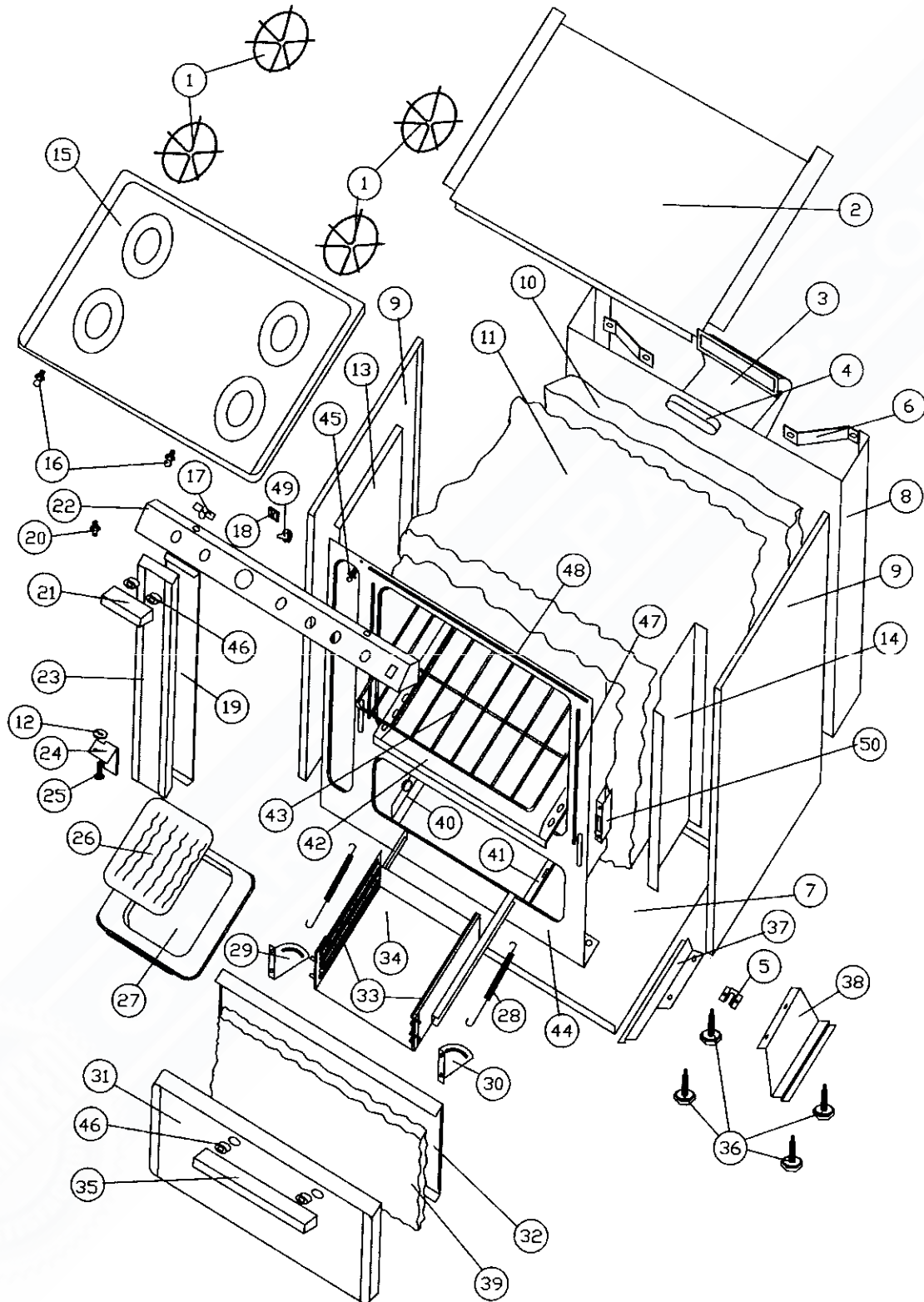
MAIN BODY FOR 20, 24, & 30 INCH GAS RANGES



MAIN BODY FOR 36 INCH GAS RANGE

| Ref. No. | DESCRIPTION | Part No. | Ref. No. | DESCRIPTION | Part No. |
|----------|----------------------------------|----------|----------|------------------------------------|----------|
| 1 | TOP GRATE | 7080 | | | |
| | CAST IRON GRATE | 7086 | 33 | BROILER PAN GLIDE | 5972 |
| 2 | BURNER BOX BOTTOM | 0186 | 34 | BROILER BODY | 5970 |
| 3 | FLUE BOX | 0667 | 35 | BROILER DOOR HANDLE | 6576 |
| 4 | FLUE BOX RING | 0868 | 36 | LEG LEVELER | 4560 |
| 5 | ANTI-TIP BRACKET | 0500 | 37 | LEFT REAR SIDE SUPPORT | 0535 |
| 6 | BACK BRACE | 0517 | 38 | RIGHT REAR SIDE SUPPORT | 0536 |
| 7 | MAIN BOTTOM | 0259 | 39 | BROILER DOOR INSULATION | 8811 |
| 8 | MAIN BACK | 0315 | 40 | LEFT BROILER RUNNER W/BEARING | 0570 |
| 9 | MAIN SIDE (State Color) Painted | 5486 | 41 | RT. BROILER RUNNER W/BEARING | 0571 |
| | MAIN SIDE (State Color) Enameled | 5490 | 42 | OVEN BOTTOM | 5733 |
| 10 | OVEN BACK INSULATION | 8971 | | OVEN BOTTOM SUPPORT SCREW | 60109 |
| 11 | OVEN WRAP INSULATION | 8871 | 43 | OVEN RACK | 7471 |
| 12 | COMPARTMENT DR HINGE SPACER | 0770 | 44 | OVEN FRONT FRAME | 5756 |
| 13 | COMPARTMENT LINER | 5478 | | OVEN TOP LINING (Reg. Enamel) | 5715 |
| 14 | INNER SIDE BAFFLE | 0697 | | OVEN TOP LINING (Cont. Clean) | 5716 |
| 15 | MAIN TOP (STATE COLOR) | 5288 | | LEFT OVEN SIDE LINING (Reg. Ena.) | 5805 |
| 16 | MAIN TOP STRIKE PIN | 4871 | | L. OVEN SIDE LINING (Cont. Clean) | 5806 |
| 17 | MAIN TOP STRIKE PIN CATCH | 4973 | | RIGHT OVEN SIDE LINING (Reg. Ena.) | 5807 |
| 18 | COMPARTMENT DR STRIKE CATCH | 4971 | | RT. OVEN SIDE LINING (Cont. Clean) | 5808 |
| 19 | COMPARTMENT DOOR LINING | 5539 | | REAR LINING-NO LIGHT(Reg. Ena.) | 5880 |
| 20 | COMP. DR. UPPER HINGE PIN | 4872 | | REAR LINING-W/LIGHT(Reg. Ena.) | 5881 |
| 21 | COMPARTMENT DOOR HANDLE | 6575 | | REAR LINING- NO LIGHT(Cont. Clean) | 5882 |
| 22 | MANIFOLD COVER (NO SWITCH) | 5070 | | REAR LINING- W/LIGHT (Cont. Clean) | 5883 |
| | MANIFOLD COVER (SWITCH) | 5107 | 45 | COMPARTMENT DOOR STRIKE | 4871 |
| | MANIFOLD COVER DECAL | 5013 | 46 | DOOR HANDLE SPACER (White) | 4681 |
| 23 | COMPARTMENT DOOR PANEL | 5378 | | DOOR HANDLE SPACER (Black) | 4680 |
| 24 | COMP. DR. HINGE BRACKET | 0483 | 47 | SIDE OVEN DOOR GASKETS | 7870 |
| 25 | COMP. DR. LOWER HINGE PIN | 4873 | 48 | TOP OVEN DOOR GASKET | 7872 |
| 26 | BROILER GRILL | 7370 | 49 | COMP. DR LINING RUBBER BUMPER | 4730 |
| 27 | BROILER PAN | 7270 | 50 | HINGE RECEIVER | 8194 |
| 28 | BROILER DOOR SPRING | 8070 | | | |
| 29 | LEFT BROILER HINGE | 8170 | | | |
| 30 | RIGHT BROILER HINGE | 8171 | | | |
| 31 | BR. DR. PANEL (STATE COLOR) | 5405 | | | |
| 32 | BROILER DOOR LINING | 5565 | | | |

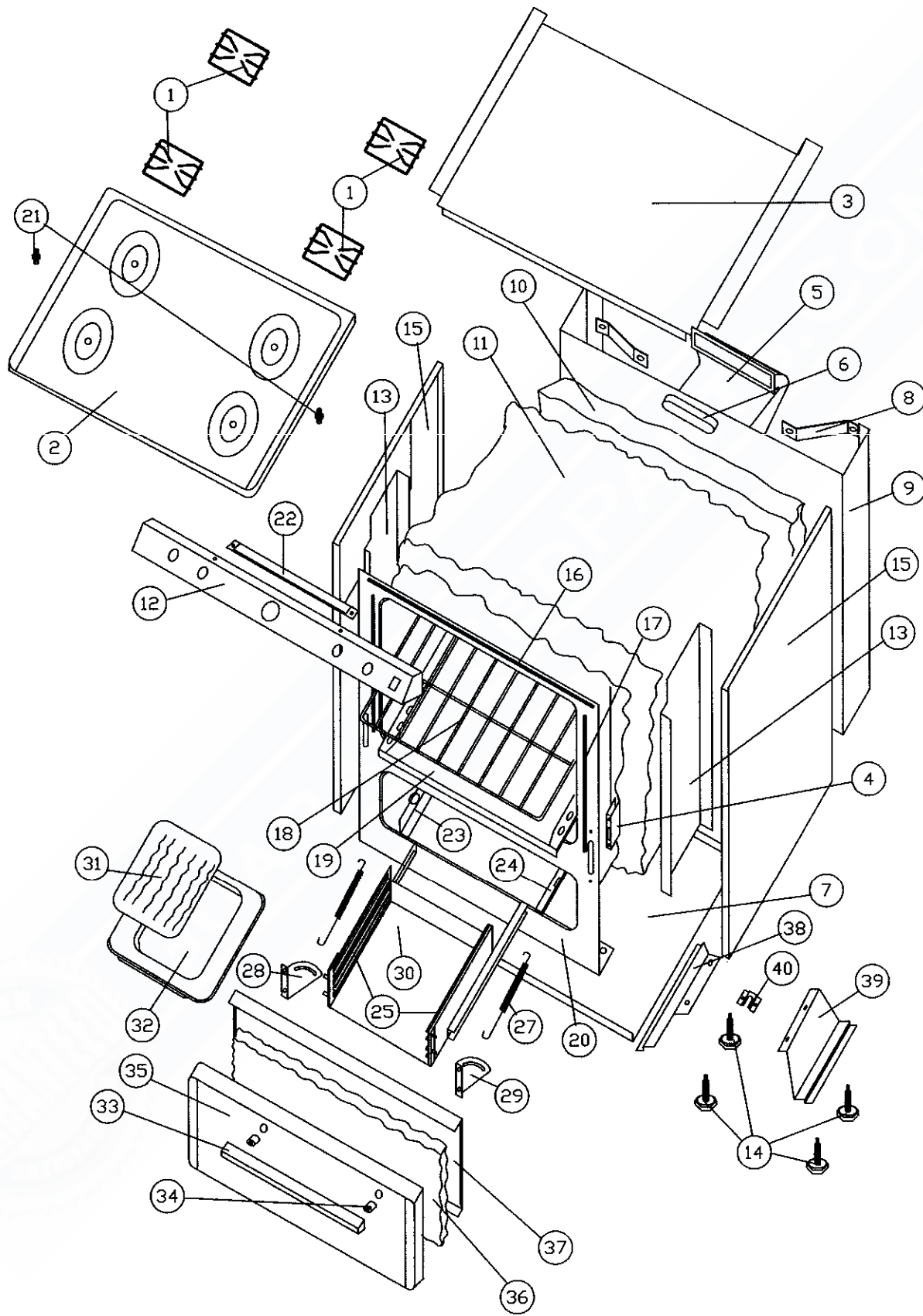
MAIN BODY FOR 36 INCH GAS RANGE



MAIN BODY FOR SEALED BURNER GAS RANGE

| Ref. No. | | 30 INCH | 24 INCH |
|-------------|---|------------|------------|
| 1 | TOP GRATE | 7087 | 7085 |
| 2 | MAIN TOP (State Color) 2- 9,000btu, 1-6,000btu 1- 15,000btu | 5267 | 5278 |
| | MAIN TOP (State Color) 3- 9,000btu and 1-6,000btu | 5266 | ----- |
| 3 | BURNER BOX BOTTOM | 0185 | 0183 |
| 4 | HINGE RECEIVER | 8194 | 8194 |
| 5 | FLUE BOX | 0667 | 0667 |
| 6 | FLUE BOX RING | 0868 | 0868 |
| 7 | MAIN BOTTOM | 0258 | 0258 |
| 8 | BACK BRACE | 0517 | 0517 |
| 9 | MAIN BACK | 0314 | 0313 |
| 10 | OVEN BACK INSULATION | 8971 | 8972 |
| 11 | OVEN WRAP INSULATION | 8871 | 8870 |
| 12 | MANIFOLD COVER - No Switch (State Color) | 5126 | 5124 |
| | MANIFOLD COVER- Switch Opening (State Color) | 5127 | 5125 |
| | MANIFOLD COVER DECAL (State Color) | 5023 | 5011 |
| 13 | INNER SIDE BAFFLE | 0697 | 0697 |
| 14 | LEG LEVELER | 4560 | 4560 |
| 15 | MAIN SIDE (State Color) Painted | 5486 | 5486 |
| | MAIN SIDE (State Color) Enameled | 5490 | 5490 |
| 16 | TOP OVEN DOOR GASKET | 7872 | 7874 |
| 17 | SIDE OVEN DOOR GASKET | 7870 | 7875 |
| 18 | OVEN RACK | 7471 | 7472 |
| 19 | OVEN BOTTOM | 5733 | 5701 |
| | OVEN BOTTOM SUPPORT SCREW | 60109 | 60109 |
| 20 | OVEN FRONT FRAME | 5752 | 5751 |
| | OVEN TOP LINING (Regular Enamel) | 5711 | 5715 |
| | OVEN TOP LINING (Cont. Clean Enamel) | 5712 | 5716 |
| | LEFT OVEN SIDE LINING (Regular Enamel) | 5805 | 5805 |
| | LEFT OVEN SIDE LINING (Cont. Clean Enamel) | 5806 | 5806 |
| | RIGHT OVEN SIDE LINING (Regular Enamel) | 5807 | 5807 |
| | RIGHT OVEN SIDE LINING (Cont. Clean Enamel) | 5808 | 5808 |
| | REAR OVEN LINING (Without Light-Regular Enamel) | 5876 | 5880 |
| | REAR OVEN LINING (Without Light-Cont. Clean Enamel) | 5878 | 5882 |
| | REAR OVEN LINING (With Light-Regular Enamel) | 5877 | 5881 |
| | REAR OVEN LINING (With Light-Cont. Clean Enamel) | 5879 | 5883 |
| 21 | MAIN TOP RETAINER SCREW | 4880 | 4880 |
| 22 | MAIN TOP FRONT RETAINER | 5269 | 5269 |
| 23 | LEFT BROILER RUNNER WITH BEARINGS | 0570 | 0570 |
| 24 | RIGHT BROILER RUNNER WITH BEARINGS | 0571 | 0571 |
| 25 | BROILER PAN GLIDES | 5972 | 5972 |
| 27 | BROILER DOOR SPRING | 8070 | 8070 |
| 28 | LEFT BROILER HINGE | 8170 | 8170 |
| 29 | RIGHT BROILER HINGE | 8171 | 8171 |
| 30 | BROILER BODY | 5970 | 5970 |
| 31 | BROILER GRILL | 7370 | 7370 |
| 32 | BROILER PAN | 7270 | 7270 |
| 33 | DOOR HANDLE (State Color) | 6576 | 6576 |
| 34 | DOOR HANDLE SPACER (White) | 4681 | 4681 |
| | DOOR HANDLE SPACER (Black) | 4680 | 4680 |
| 35 | BROILER DOOR PANEL (State Color) | 5405 | 5397 |
| 36 | BROILER DOOR INSULATION | 8811 | 8812 |
| 37 | BROILER DOOR LINING | 5565 | 5554 |
| 38 | LEFT REAR SIDE SUPPORT | 0535 | 0535 |
| 39 | RIGHT REAR SIDE SUPPORT | 0536 | 0536 |
| 40 | ANTI-TIP BRACKET | 0500 | 0500 |

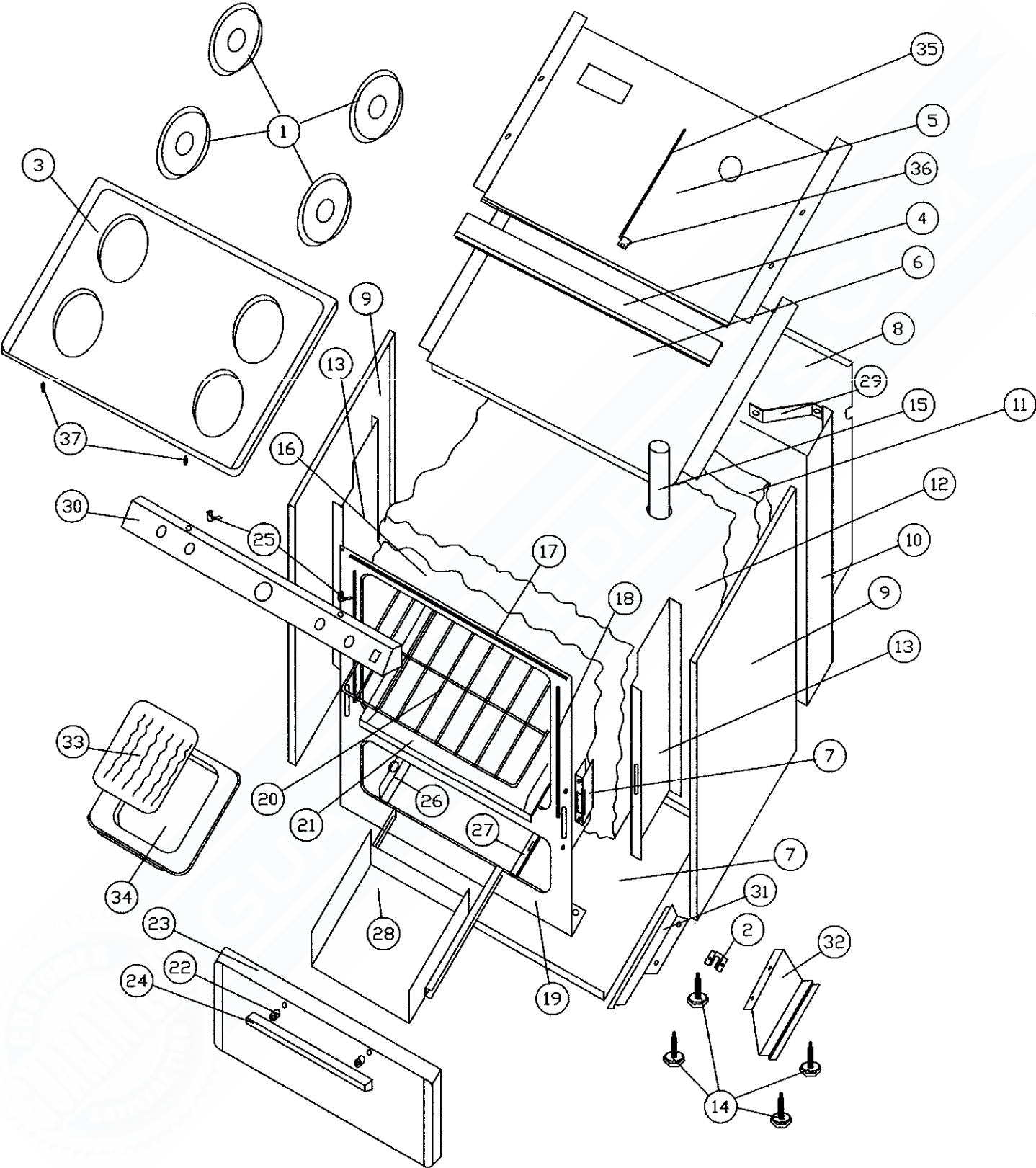
MAIN BODY FOR SEALED BURNER GAS RANGE



MAIN BODY FOR 20, 24, & 30 INCH ELECTRIC RANGES

| Ref No. | DESCRIPTION | 20 INCH | 24 INCH | 30 INCH |
|---------|--|---------|---------|---------|
| 1 | LARGE TOP ELEMENT BOWL | 7770 | 7770 | 7770 |
| | SMALL TOP ELEMENT BOWL | 7771 | 7771 | 7771 |
| 2 | ANTI-TIP BRACKET | 0500 | 0500 | 0500 |
| 3 | MAIN TOP (State Color) | | | |
| | (3) 6in. ELEMENTS (1) 8in. ELEMENTS | 5298 | 5299 | 5296 |
| | (2) 6in. ELEMENTS (2) 8in. ELEMENTS | ----- | ----- | 5300 |
| 4 | FRONT SWITCH COVER | 0992 | 0993 | 0994 |
| 5 | UPPER BURNER BOX BOTTOM - ENAMELED | 0190 | 0191 | 0192 |
| | UPPER BURNER BOX BOTTOM – PAINTED | 0194 | 0195 | 0196 |
| 6 | LOWER BURNER BOX BOTTOM | 0181 | 0183 | 0185 |
| 7 | MAIN BOTTOM | 0256 | 0257 | 0258 |
| 8 | BACK COVER | 0953 | 0960 | 0951 |
| 9 | MAIN SIDE (State Color) PAINTED | 5476 | 5486 | 5486 |
| | MAIN SIDE (State Color) ENAMELED | 5488 | 5490 | 5490 |
| 10 | MAIN BACK | 0310 | 0311 | 0312 |
| 11 | OVEN BACK INSULATION | 8970 | 8972 | 8971 |
| 12 | OVEN WRAP INSULATION | 8870 | 8870 | 8871 |
| 13 | INNER SIDE BAFFLE | 0698 | 0697 | 0697 |
| 14 | LEG LEVELER | 4560 | 4560 | 4560 |
| 15 | OVEN VENT TUBE | 1876 | 1876 | 1876 |
| 16 | OVEN TOP LINING | 5799 | 5801 | 5803 |
| | LEFT OVEN SIDE LINING | 5805 | 5805 | 5805 |
| | RIGHT OVEN SIDE LINING | 5807 | 5807 | 5807 |
| | REAR OVEN LINING WITH LIGHT | 5885 | 5889 | 5893 |
| | REAR OVEN LINING WITHOUT LIGHT | 5884 | 5888 | 5892 |
| 17 | TOP OVEN DOOR GASKET | 7870 | 7874 | 7872 |
| 18 | SIDE OVEN DOOR GASKET | 7875 | 7875 | 7870 |
| 19 | OVEN FRONT FRAME | 5750 | 5751 | 5752 |
| 20 | OVEN RACK | 7470 | 7472 | 7471 |
| 21 | OVEN BOTTOM | 5619 | 5617 | 5735 |
| | OVEN BOTTOM INSULATION | 8970 | 8972 | 8971 |
| | OVEN BOTTOM INSULATION RETAINER | 0956 | 0955 | 0954 |
| 22 | DOOR HANDLE SPACER (White) | 4681 | 4681 | 4681 |
| | DOOR HANDLE SPACER (Black) | 4680 | 4680 | 4680 |
| 23 | STORAGE DRAWER PANEL (State Color) | 5385 | 5386 | 5387 |
| | DRAWER PANEL BUMPERS | 4730 | 4730 | 4730 |
| 24 | DOOR HANDLE (State Color) | 6576 | 6576 | 6576 |
| 25 | MAIN TOP STRIKE PIN CATCH | 4973 | 4973 | 4973 |
| 26 | LEFT STORAGE DRAWER RUNNER | 0570 | 0572 | 0572 |
| 27 | RIGHT STORAGE DRAWER RUNNER | 0571 | 0573 | 0573 |
| 28 | STORAGE DRAWER BODY | 5955 | 5954 | 5953 |
| 29 | BACK BRACE | 0520 | 0517 | 0517 |
| 30 | CONTROL PANEL- NO SWITCH OPENING (State Color) | 5115 | 5087 | 5083 |
| | CONTROL PANEL- W/SWITCH OPENING (State Color) | 5116 | 5088 | 5112 |
| | CONTROL PANEL DECAL (State Color) | 5015 | 5016 | 5017 |
| 31 | LEFT REAR SIDE SUPPORT | 0535 | 0535 | 0535 |
| 32 | RIGHT REAR SIDE SUPPORT | 0536 | 0536 | 0536 |
| 33 | BROILER GRILL | 7370 | 7370 | 7370 |
| 34 | BROILER PAN | 7271 | 7271 | 7271 |
| 35 | MAIN TOP SUPPORT ROD | 59573 | 59573 | 59573 |
| 36 | MAIN TOP SUPPORT ROD CLIP | 59792 | 59792 | 59792 |
| 37 | MAIN TOP STRIKE PIN | 4871 | 4871 | 4871 |

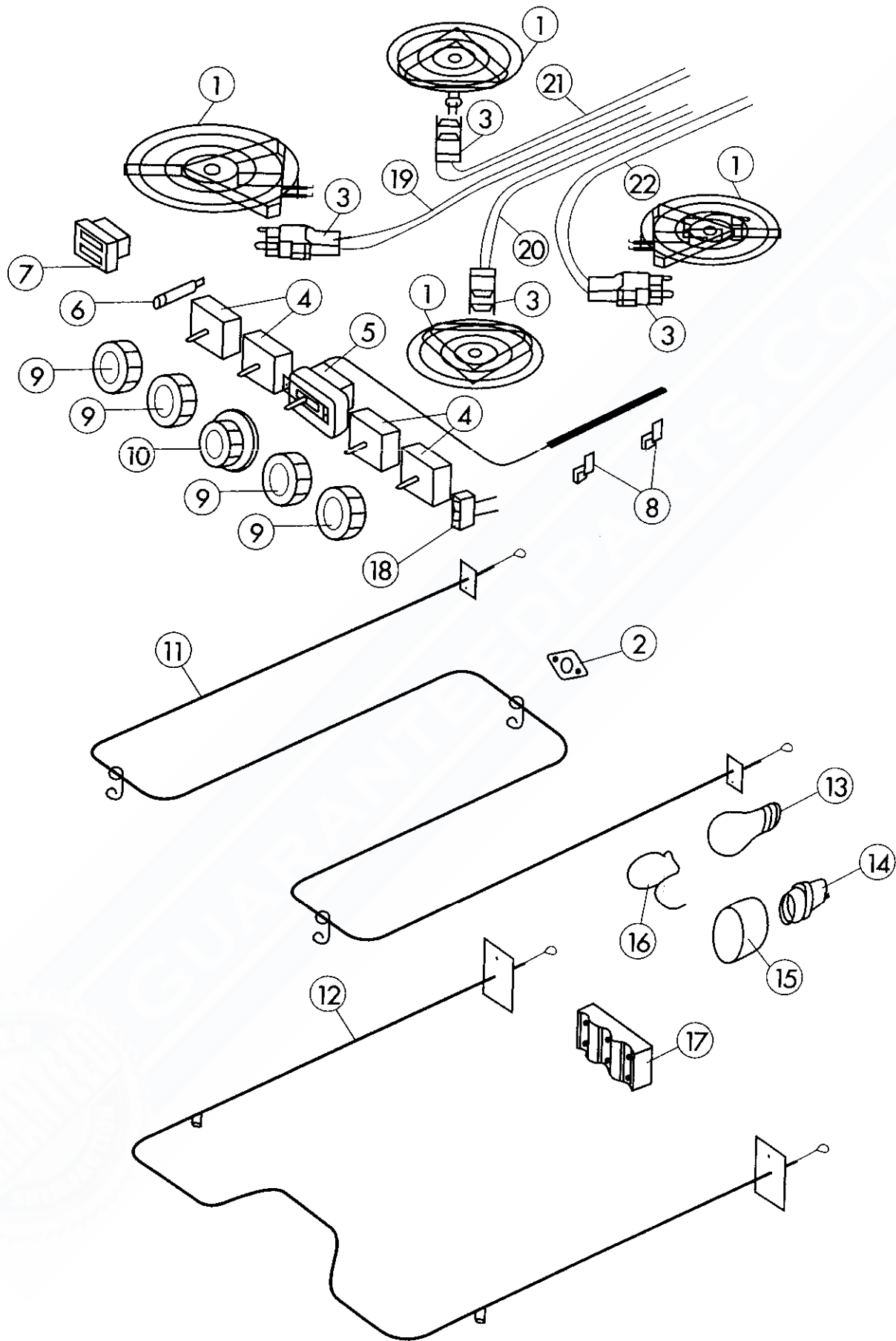
MAIN BODY FOR 20, 24, & 30 INCH ELECTRIC RANGES



ELECTRIC TOP & OVEN ELEMENTS WITH CONTROLS

| Ref. | | 20 | 24 | 30 |
|------|---|-------|-------|-------|
| No. | DESCRIPTION | INCH | INCH | INCH |
| 1 | 1250W. 6IN. TOP ELEMENT | 2391B | 2391B | 2391B |
| | 2100W. 8IN. TOP ELEMENT | 2392B | 2392B | 2392B |
| 2 | LIMIT SWITCH | 2150 | 2150 | 2150 |
| 3 | TOP ELEMENT RECEPTACLE BRACKET | 2875B | 2875B | 2875B |
| | TOP ELEMENT RECEPTACLE BLOCK | 2875A | 2875A | 2875A |
| | RECEPTACLE BLOCK W/WIRES (State Colors) | 2875 | 2875 | 2875 |
| 4 | INFINITE SWITCH- 1250W CSI | 2286 | 2286 | 2286 |
| | INFINITE SWITCH- 2100W. CSI | 2287 | 2287 | 2287 |
| | INFINITE SWITCH – ALTERNATE | 2271 | 2271 | 2271 |
| | INFINITE SCREW | 60206 | 60206 | 60206 |
| 5 | THERMOSTAT | 2168 | 2168 | 2168 |
| | THERMOSTAT MOUNTING SCREW | 59755 | 59755 | 59755 |
| 6 | SIGNAL LIGHT- SURFACE ONLY | 2672 | ----- | ----- |
| | SIGNAL LIGHT – SURFACE & OVEN | ----- | 2675 | 2675 |
| 8 | CAPILLARY BULB CLIP | 4770 | 4770 | 4770 |
| 9 | SURFACE ELEMENT KNOB – BLACK | 6476B | 6476B | 6476B |
| | SURFACE ELEMENT KNOB – WHITE | 6476W | 6476W | 6476W |
| 10 | THERMOSTAT DIAL – BLACK | 6376B | 6376B | 6376B |
| | THERMOSTAT DIAL – WHITE | 6376W | 6376W | 6376W |
| 11 | BROIL ELEMENT | 2396 | 2396 | 2398 |
| 12 | BAKE ELEMENT | 2395 | 2395 | 2397 |
| 13 | APPLIANCE LIGHT BULB 115V – 40W | 2670 | 2670 | 2670 |
| | APPLIANCE LIGHT BULB 230V – 40W | 2680 | 2680 | 2680 |
| 14 | OVEN LIGHT RECEPTACLE | 2870 | 2870 | 2870 |
| 15 | OVEN LIGHT RING | 0873 | 0873 | 0873 |
| 16 | OVEN LIGHT GUARD | 0869 | 0869 | 0869 |
| 17 | TERMINAL BLOCK | 2771 | 2771 | 2771 |
| 18 | 2 – WAY LIGHT SWITCH – BLACK | 2484B | 2484B | 2484B |
| | 2 – WAY LIGHT SWITCH – WHITE | 2484W | 2484W | 2484W |
| 19 | LEFT FRONT ELEMENT WIRE | 3090 | 3090 | 3090 |
| 20 | RIGHT FRONT ELEMENT WIRE | 3093 | 3093 | 3093 |
| 21 | LEFT REAR ELEMENT WIRE | 3091 | 3091 | 3091 |
| 22 | RIGHT REAR ELEMENT WIRE | 3092 | 3092 | 3092 |

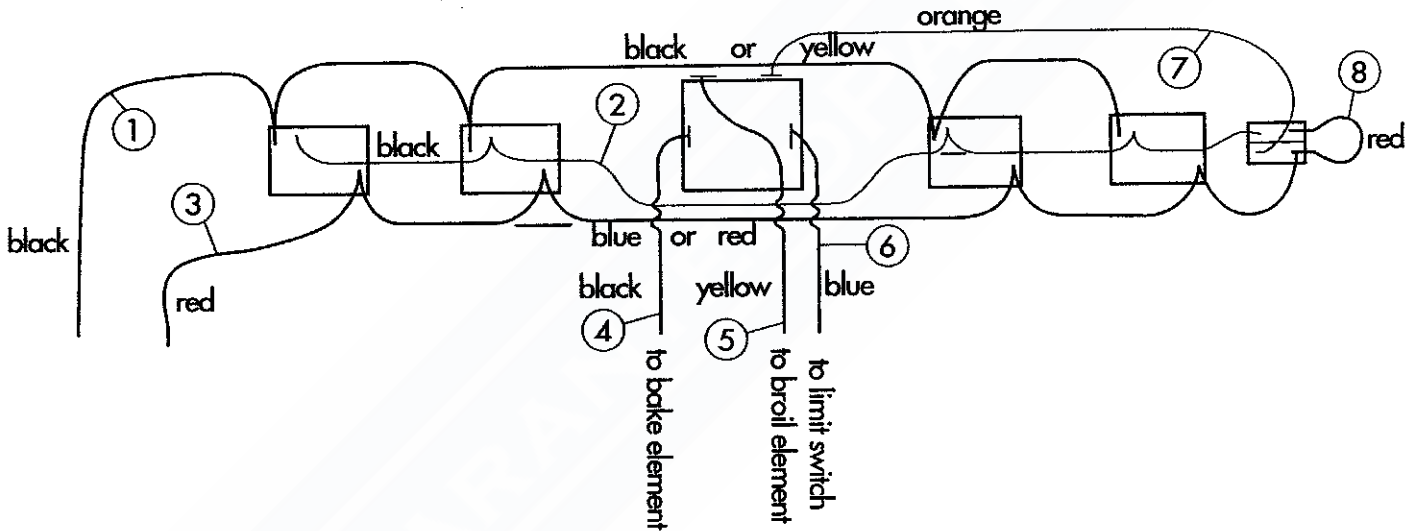
ELECTRIC TOP & OVEN ELEMENTS WITH CONTROLS



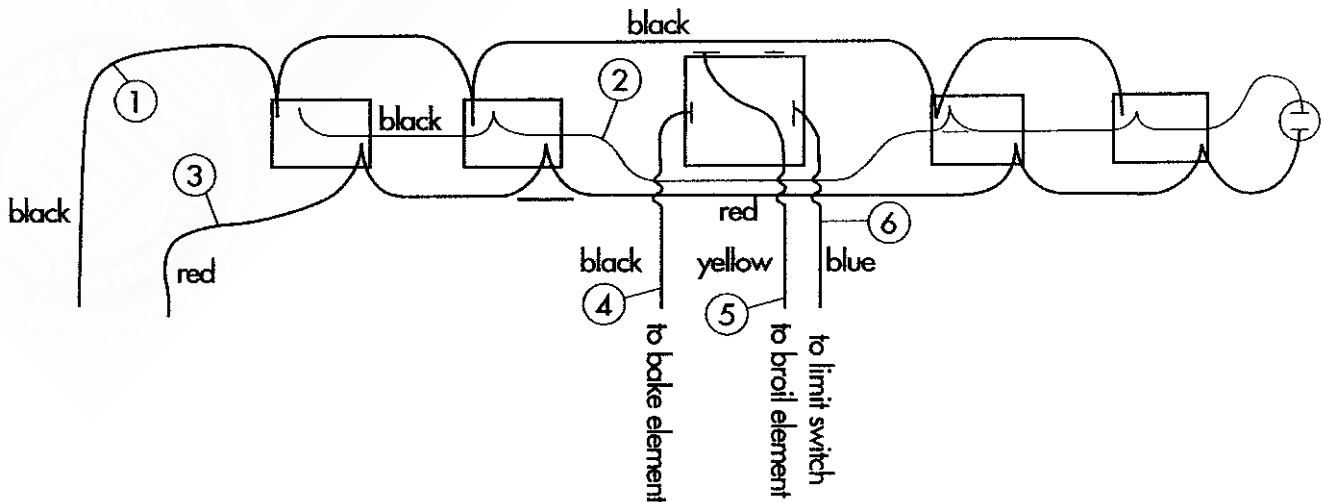
ELECTRIC RANGE WIRING

| Ref. No. | DESCRIPTION | 20 INCH | 24 INCH | 36 INCH |
|----------|---------------------------------|---------|---------|---------|
| 1 | 14GA. BLACK JUMPER WIRE | 3060B | 3060B | 3060B |
| | 12 GA. BLACK AND YELLOW WIRE | ----- | ----- | 3101B |
| 2 | 18GA. BLACK JUMPER WIRE | 3051A | 3051A | 3051A |
| 3 | 14GA. RED JUMPER WIRE | 3061B | 3061B | 3061B |
| | 12GA. RED AND BLUE JUMPER WIRE | ----- | ----- | 3102B |
| 4 | BLACK BAKE ELEMENT WIRE | 3099A | 3099A | 3099A |
| 5 | YELLOW BROIL ELEMENT WIRE | 3100A | 3100A | 3100A |
| 6 | BLUE LIMIT SWITCH WIRE | 3096A | 3096A | 3096A |
| 7 | ORANGE INDICATOR LIGHT WIRE | ----- | 3095A | 3095A |
| 8 | RED INDICATOR LIGHT JUMPER WIRE | ----- | 3094A | 3094A |

FOR 24 IN. AND 30 IN. RANGES

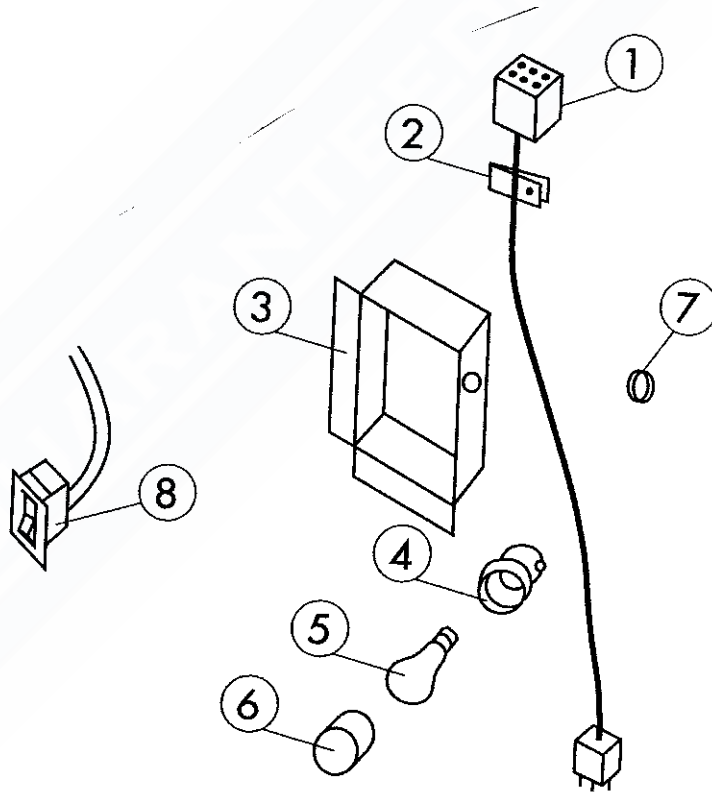


FOR 20IN. RANGES



GAS RANGE OVEN LIGHT COMPONENTS

| Ref. No. | DESCRIPTION | 20 INCH | 24 INCH | 30 INCH | 36 INCH |
|-------------|---------------------------------------|------------|------------|------------|------------|
| 1 | POWER SUPPLY CORD | 59698 | 59698 | 59698 | 59698 |
| 2 | POWER SUPPLY CORD STRAIN RELIEF | 4975 | 4975 | 4975 | 4975 |
| 3 | POWER BOX | 0977 | 0977 | 0977 | 0977 |
| 4 | OVEN LIGHT RECEPTACLE | 2870 | 2870 | 2870 | 2870 |
| 5 | APPLIANCE LIGHT BULB 115V-40W | 2670 | 2670 | 2670 | 2670 |
| 6 | OVEN LIGHT RING | 0873 | 0873 | 0873 | 0873 |
| 7 | WIRE BUSHING | 0070 | 0070 | 0070 | 0070 |
| 8 | SWITCH- OVEN LIGHT ONLY-PILOT IGN. | 2481 | 2481 | 2481 | 2481 |
| | SWITCH- OVEN LIGHT ONLY- SPARK IGN. | 2482 | 2482 | 2482 | 2482 |
| | SWITCH- OVEN LIGHT- TIMER ONLY- BLACK | 2483 | 2483 | 2483 | 2483 |
| | SWITCH- OVEN LIGHT- TIMER ONLY- WHITE | 2483W | 2483W | 2483W | 2483W |

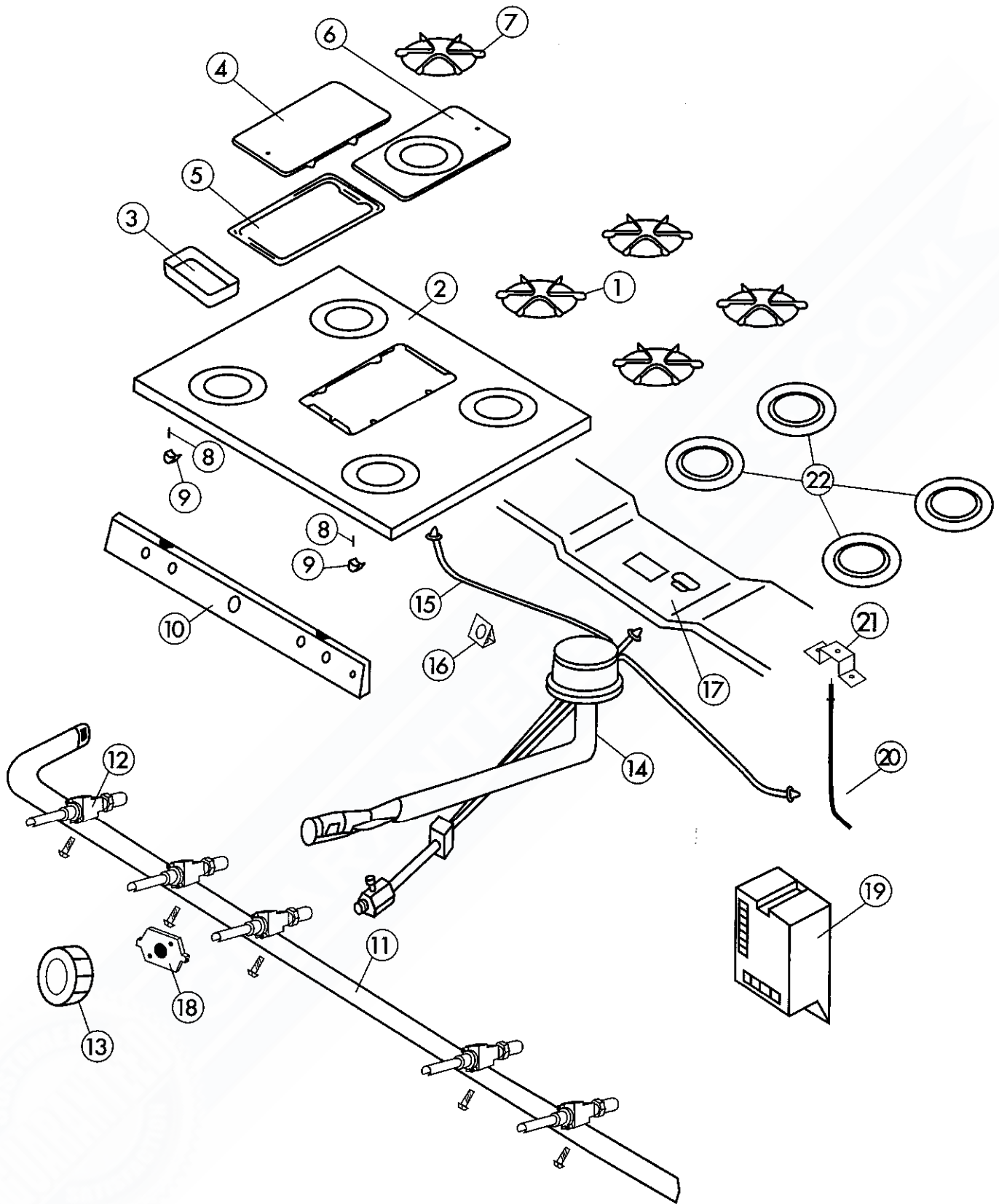


GRIDDLE AND FIFTH BURNER FOR 30 & 36 INCH GAS RANGE

| Ref. No. | DESCRIPTION | 36 INCH | 30 INCH |
|-------------|---|------------|------------|
| 1 | TOP GRID | 7080 | 59726 |
| 2 | MAIN TOP (State Color) | 5289 | 5293 |
| 3 | GREASE CUP | 59649 | 59649 |
| 4 | STAINLESS GRIDDLE COVER | 0900 | ----- |
| | PORCELAIN GRIDDLE COVER (State Color) | ----- | 57688 |
| 5 | GRIDDLE | 7371 | 57687 |
| 6 | FIFTH BURNER BOWL (State Color) | 7773 | 59386 |
| 7 | FIFTH BURNER GRID | 59726 | 59726 |
| 8 | MAIN TOP STRIKE PIN | 4871 | 4871 |
| 9 | MAIN TOP STRIKE CATCH | 4973 | 4973 |
| 10 | MANIFOLD COVER- NO SWITCH OPENING (State Color) | 5071 | 5128 |
| | MANIFOLD COVER- SWITCH OPENING (State Color) | 5106 | 5129 |
| | MANIFOLD COVER DECAL | 5014 | 5022 |
| 11 | MANIFOLD PIPE | 1798 | 1795 |
| 12 | TOP BURNER VALVES- SET FOR NAT. GAS | 1250 | 1250 |
| | TOP BURNER VALVE BOLT AND GASKET | 1249 | 1249 |
| 13 | TOP BURNER VALVE KNOB- BLACK | 6286 | 6286 |
| 14 | FIFTH BURNER | 1403 | 1400 |
| 15 | FIFTH BURNER 3-TUBE PILOT (PILOT IGNITION) | 1507 | 1507 |
| 16 | FIFTH BURNER PILOT SHIELD (PILOT IGNITION) | 0870 | 0870 |
| 17 | TOP BURNER HANGER | 0546 | 0544 |
| 18 | TOP BURNER VALVE SWITCH* | 1248 | 1248 |
| 19 | SPARK MODULE- 110VOLT- HARPER 3+1 | 2358 | 2358 |
| | SPARK MODULE- 220VOLT- HARPER 3+1 | 2352 | 2352 |
| 20 | FIFTH BURNER ELECTRODE | 1486 | 1486 |
| 21 | FIFTH BURNER ELECTRODE GROUND STRAP | 1488 | 1488 |
| 22 | CHROME BURNER BOWLS | 7082 | 57965 |

* See Separate Section for Spark Ignition Switch Harnesses

GRIDDLE AND FIFTH BURNER FOR 30 & 36 INCH GAS RANGE

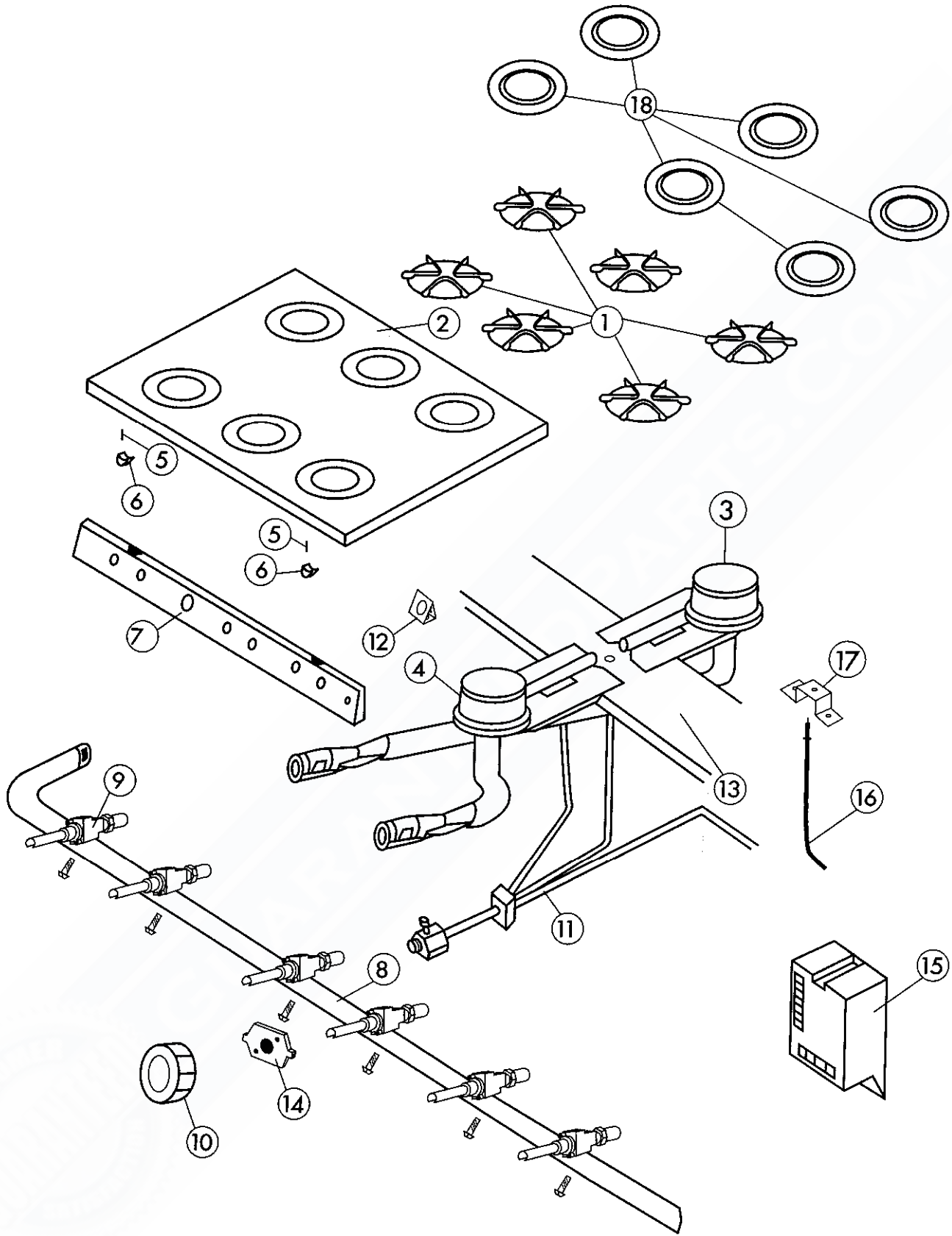


6 BURNER 36 INCH GAS RANGE

| Ref. No. | DESCRIPTION | 36 INCH |
|----------|--|---------|
| 1 | TOP GRID | 7080 |
| 2 | MAIN TOP (State Color) | 5287 |
| 3 | REAR TOP BURNERS | 1399 |
| 4 | FRONT TOP BURNERS | 1398 |
| 5 | MAIN TOP STRIKE PIN | 4871 |
| 6 | MAIN TOP STRIKE PIN CATCH | 4973 |
| 7 | MANIFOLD COVER-NO SWITCH OPENING (State Color) | 5069 |
| | MANIFOLD COVER-SWITCH OPENING (State Color) | 5105 |
| | MANIFOLD COVER DECAL | 5021 |
| 8 | MANIFOLD PIPE | 1799 |
| 9 | TOP BURNER VALVES SET FOR NAT. GAS | 1250 |
| | TOP BURNER VALVE BOLT AND GASKET | 1249 |
| 10 | TOP BURNER VALVE KNOB- BLACK | 6286 |
| 11 | TOP BURNER 3-TUBE PILOT (PILOT IGNITION) | 1507 |
| 12 | TOP BURNER PILOT SHIELD (PILOT IGNITION) | 0870 |
| 13 | TOP BURNER HANGER | 0547 |
| 14 | TOP BURNER VALVE SWITCH (SPARK IGNITION)* | 1248 |
| 15 | SPARK MODULE- 110VOLT | 2358 |
| | SPARK MODULE- 220VOLT | 2352 |
| 16 | TOP BURNER ELECTRODE | 1486 |
| 17 | TOP BURNER ELECTRODE GROUND STRAP | 1488 |
| 18 | CHROME BURNER BOWLS | 7082 |

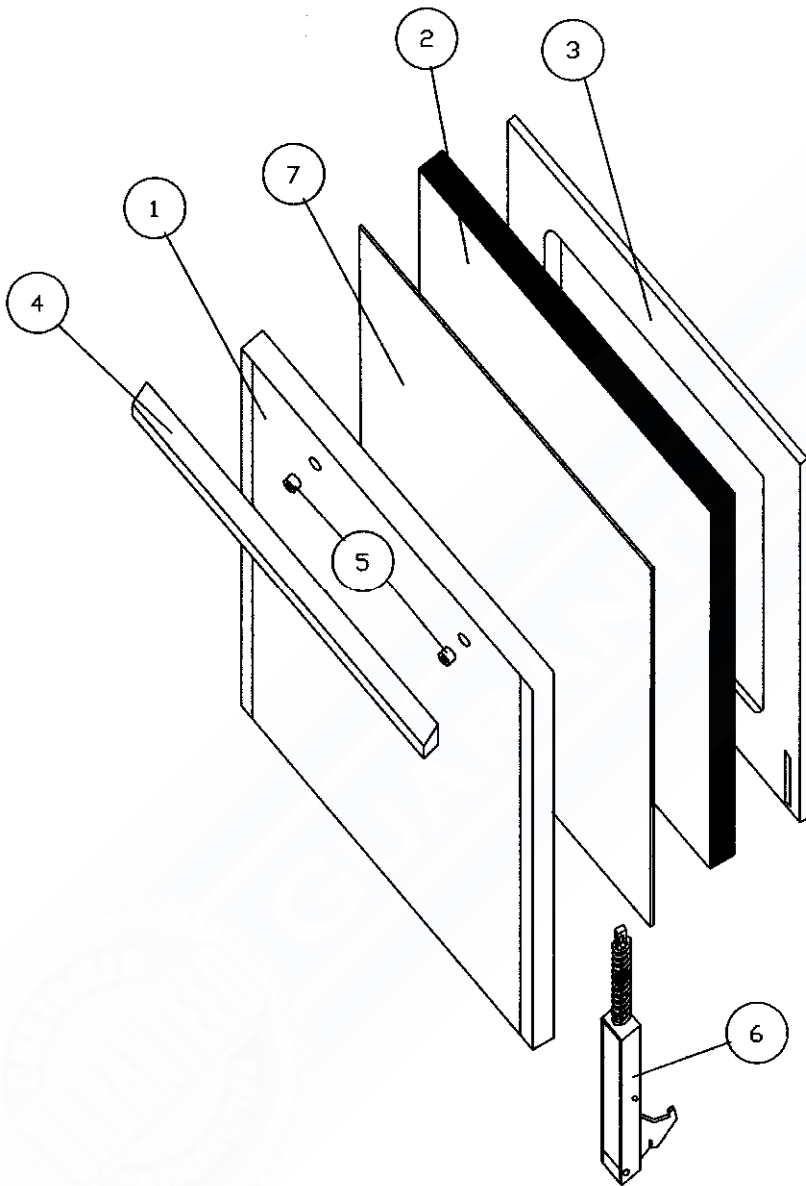
* See Separate Section for Spark Ignition Switch Harnesses

6 BURNER 36 INCH GAS RANGE



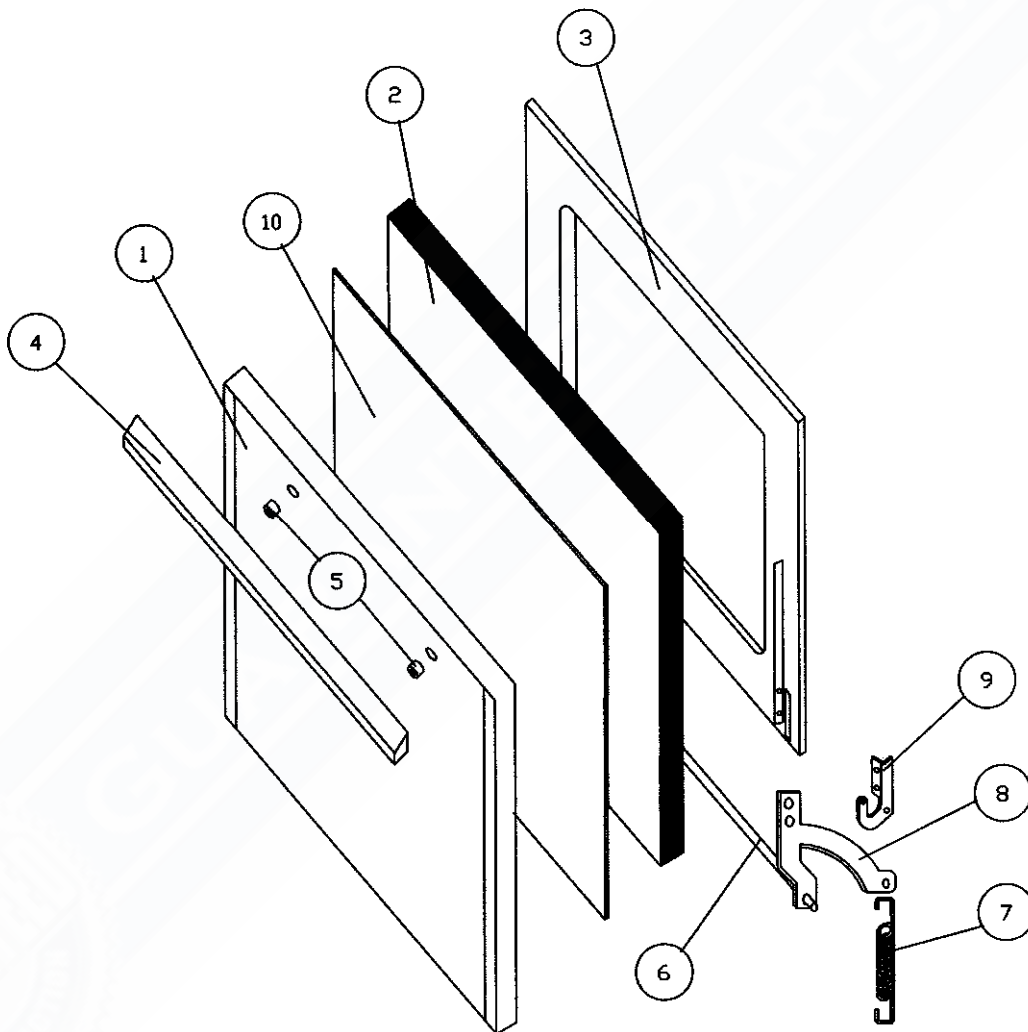
24, 30, 36IN. SOLID OVEN DOOR

| Ref. No. | DESCRIPTION | 24 INCH | 30 INCH | 36 INCH |
|-------------|---|------------|------------|------------|
| 1 | SOLID OVEN DOOR PANEL- ELEC. OR GAS (State Color) | 5346 | 5347 | 5347 |
| 2 | OVEN DOOR INSULATION- ELEC. OR GAS (State Color) | 8710 | 8710 | 8710 |
| 3 | SOLID OVEN DOOR LINING | 5529 | 5519 | 5519 |
| 4 | OVEN DOOR HANDLE (State Color) | 6577 | 6578 | 6578 |
| | OVEN DOOR HANDLE SCREWS | 59991 | 59991 | 59991 |
| 5 | OVEN DOOR HANDLE SPACERS (Black) | 4680 | 4680 | 4680 |
| | OVEN DOOR HANDLE SPACERS (White) | 4681 | 4681 | 4681 |
| 6 | LEFT LIFT-OFF HINGE | 8199 | 8199 | 8199 |
| | RIGHT LIFT-OFF HINGE | 8199 | 8197 | 8197 |
| 7 | INNER DOOR PANEL-GAS OR ELEC. | 0699 | 0696 | 0696 |



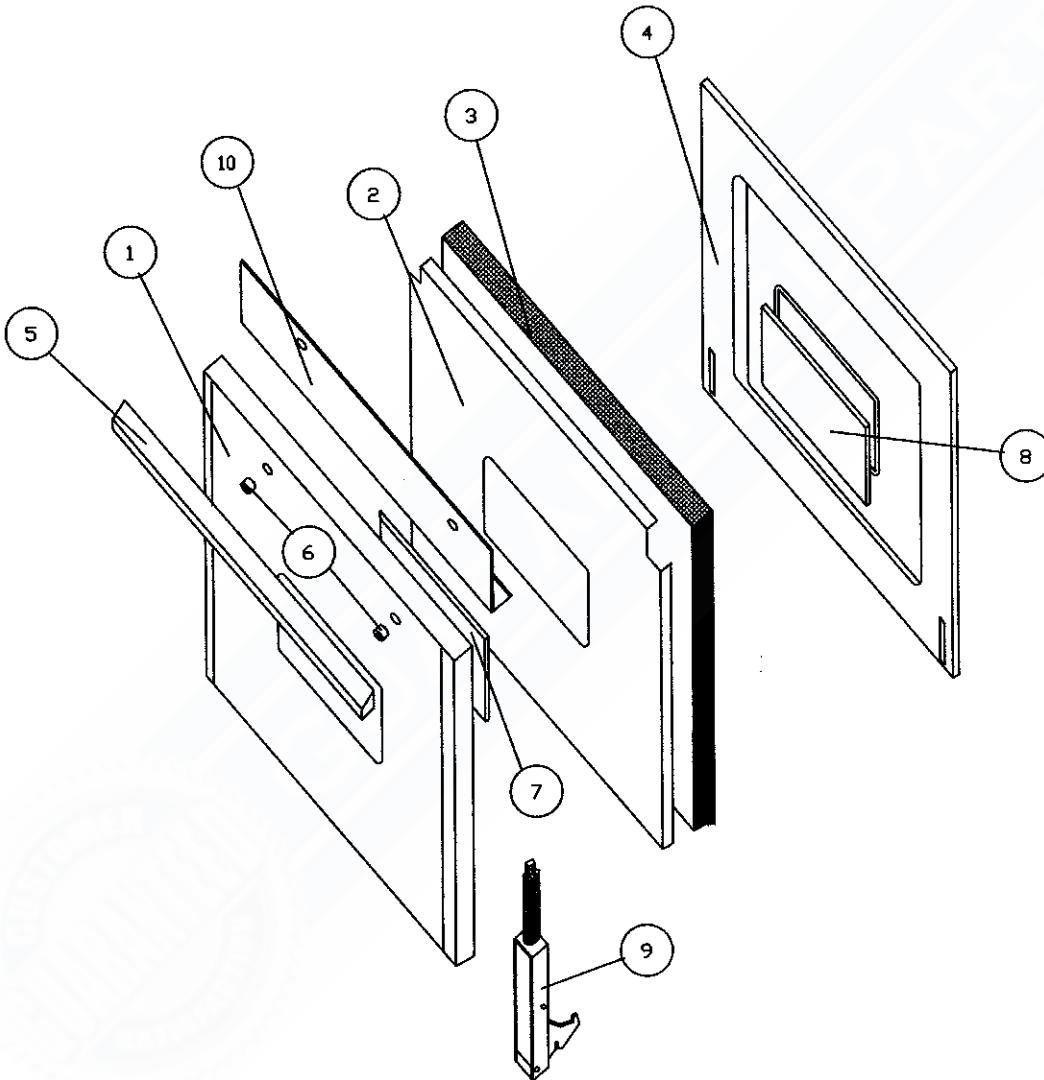
20IN. SOLID OVEN DOOR

| Ref. No. | DESCRIPTION | 20 INCH |
|----------|---|---------|
| 1 | SOLID OVEN DOOR PANEL- ELEC. OR GAS (State Color) | 5348 |
| 2 | OVEN DOOR INSULATION- ELEC. OR GAS (State Color) | 8713 |
| 3 | SOLID OVEN DOOR LINING | 5593 |
| 4 | OVEN DOOR HANDLE (State Color) | 6577 |
| | OVEN DOOR HANDLE SCREWS | 59991 |
| 5 | OVEN DOOR HANDLE SPACERS (Black) | 4680 |
| | OVEN DOOR HANDLE SPACERS (White) | 4681 |
| 6 | OVEN DOOR ROD | 8183 |
| 7 | OVEN DOOR SPRING | 8071 |
| 8 | LEFT OVEN DOOR HINGE | 8184 |
| | RIGHT OVEN DOOR HINGE (SHOWN) | 8185 |
| 9 | LEFT HINGE BEARING | 8272 |
| | RIGHT HINGE BEARING (SHOWN) | 8273 |
| 10 | INNER DOOR PANEL-GAS OR ELEC. | 0658 |



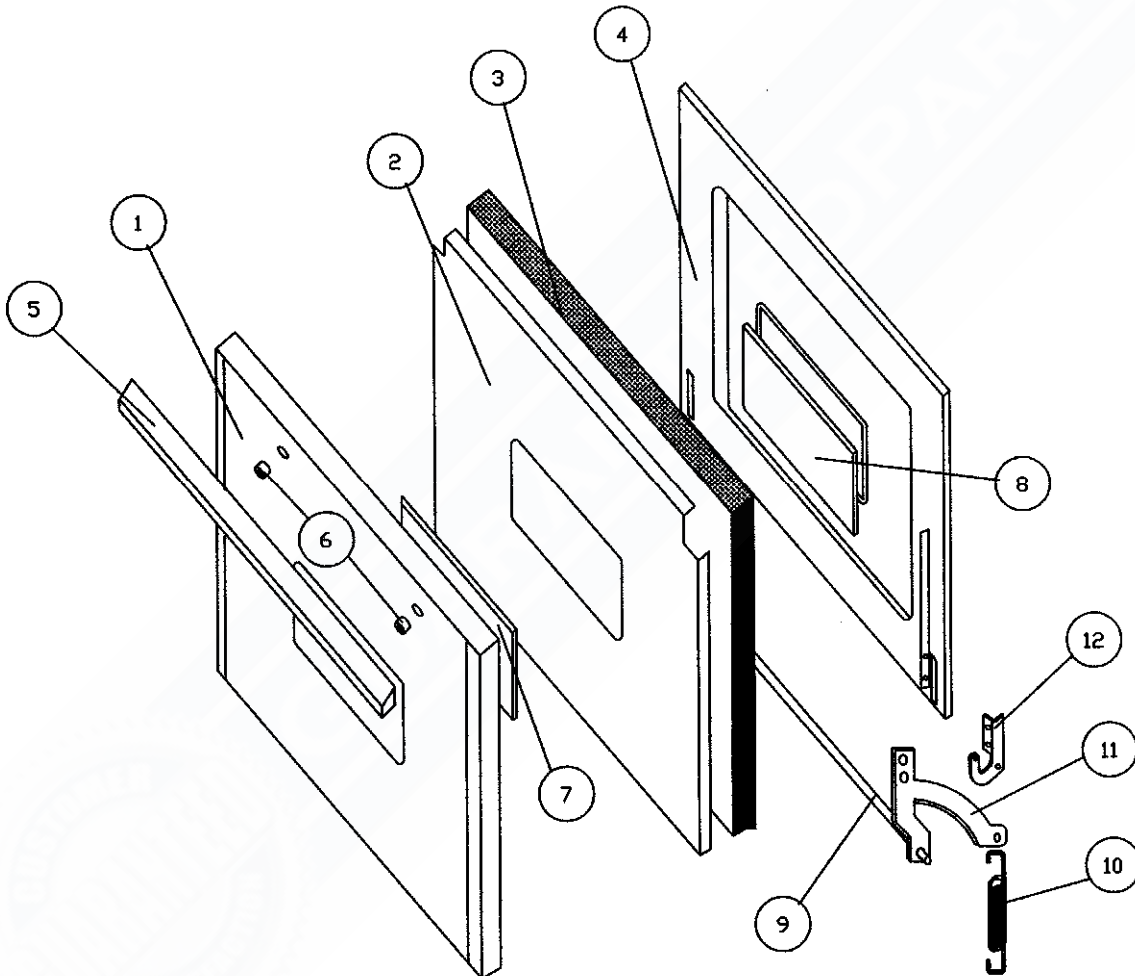
24, 30, 36IN. WINDOWED OVEN DOORS

| Ref. No. | DESCRIPTION | 24 INCH | 30 INCH | 36 INCH |
|-------------|--|------------|------------|------------|
| 1 | WINDOWED OVEN DOOR PANEL (State Color) | 5332 | 5334 | 5334 |
| 2 | INNER DOOR PANEL | 0663 | 0664 | 0664 |
| 3 | OVEN DOOR INSULATION | 8709 | 8711 | 8711 |
| 4 | WINDOWED OVEN DOOR LINING | 5530 | 5520 | 5520 |
| 5 | OVEN DOOR HANDLE (State Color) | 6577 | 6578 | 6578 |
| | OVEN DOOR HANDLE SCREW | 59991 | 59991 | 59991 |
| 6 | OVEN DOOR HANDLE SPACER (White) | 4681 | 4681 | 4681 |
| | OVEN DOOR HANDLE SPACER (Black) | 4680 | 4680 | 4680 |
| 7 | OUTSIDE GLASS WINDOW PANE- CLEAR | 4284 | 4284 | 4284 |
| 8 | INSIDE GLASS WINDOW PANE- CLEAR | 4284 | 4284 | 4284 |
| 9 | LIFT-OFF HINGE (RIGHT) | 8196 | 8198 | 8198 |
| | LIFT-OFF HINGE (LEFT) | 8196 | 8198 | 8198 |
| 10 | WINDOWED OVEN DOOR BAFFLE | 0665 | ----- | ----- |



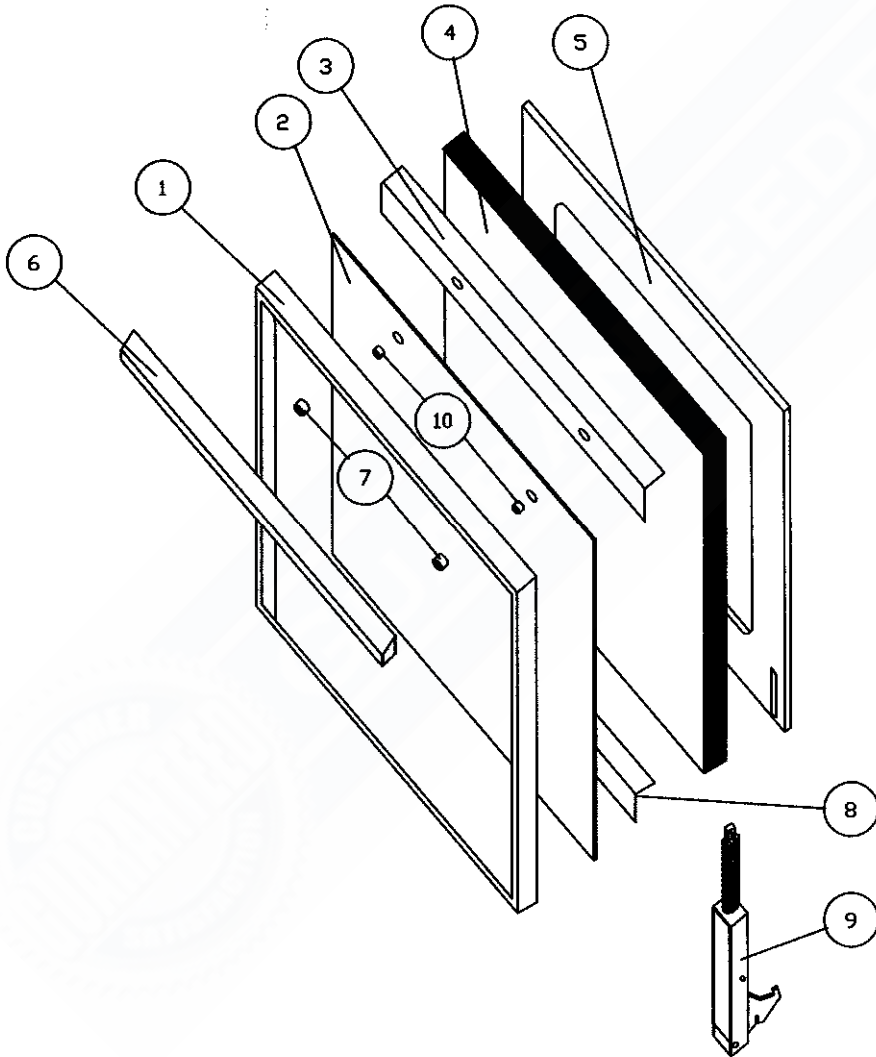
20 IN. WINDOWED OVEN DOORS

| Ref. No. | DESCRIPTION | 20 INCH |
|-------------|--|------------|
| 1 | WINDOWED OVEN DOOR PANEL (State Color) | 5345 |
| 2 | INNER DOOR PANEL | 0655 |
| 3 | OVEN DOOR INSULATION | 8708 |
| 4 | WINDOWED OVEN DOOR LINING | 5594 |
| 5 | OVEN DOOR HANDLE (State Color) | 6577 |
| | OVEN DOOR HANDLE SCREW | 59991 |
| 6 | OVEN DOOR HANDLE SPACER (White) | 4681 |
| | OVEN DOOR HANDLE SPACER (Black) | 4680 |
| 7 | OUTSIDE GLASS WINDOW PANE- CLEAR | 4285 |
| 8 | INSIDE GLASS WINDOW PANE- CLEAR | 4285 |
| 9 | OVEN DOOR ROD | 8183 |
| 10 | OVEN DOOR SPRING | 8071 |
| 11 | LEFT OVEN DOOR HINGE | 8124 |
| | RIGHT OVEN DOOR HINGE (SHOWN) | 8185 |
| 12 | LEFT HINGE BEARING | 8272 |
| | RIGHT HINGE BEARING (SHOWN) | 8273 |



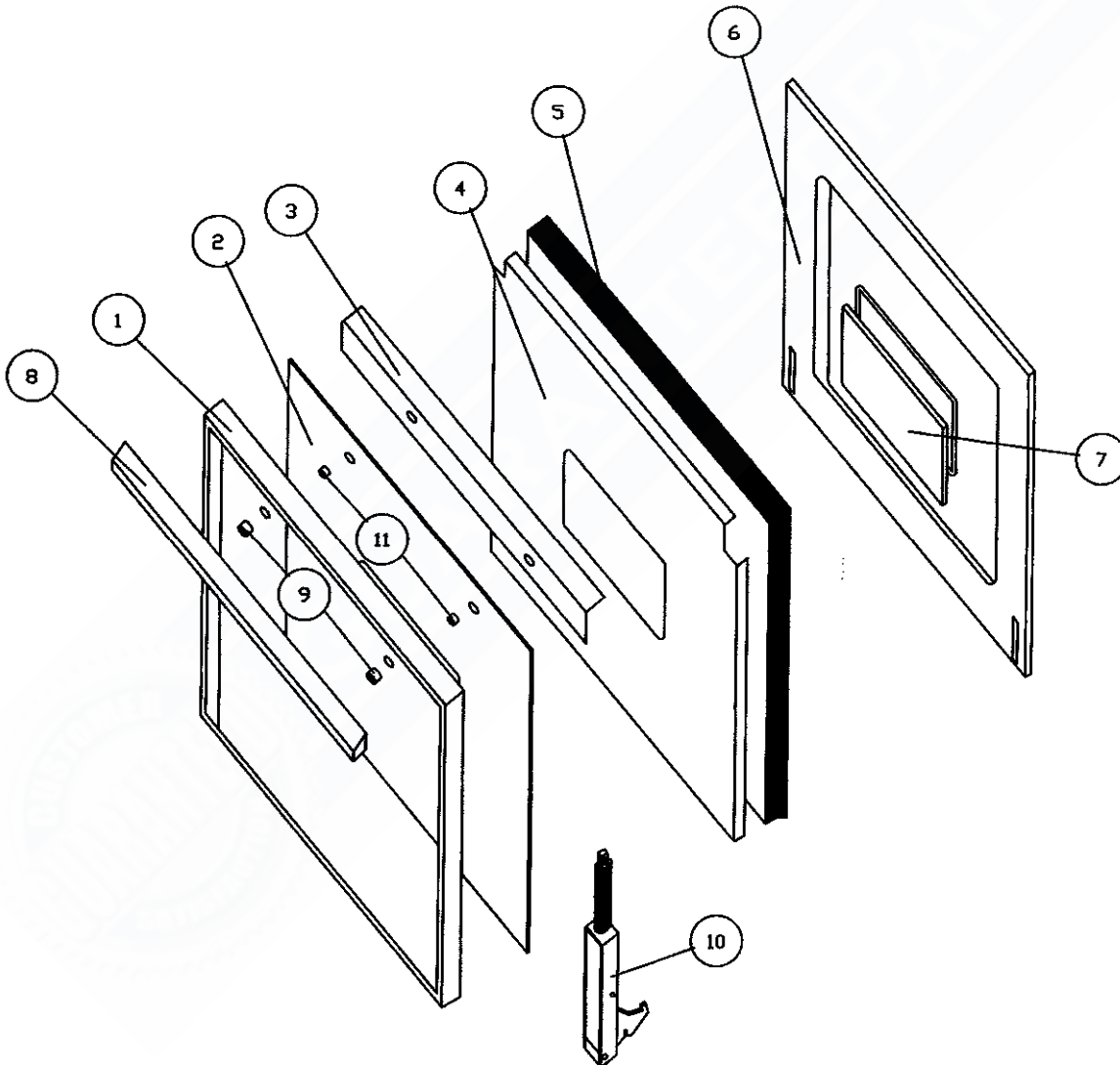
BLACK GLASS OVEN DOOR (SOLID)

| Ref. No. | DESCRIPTION | 24 INCH | 30 INCH |
|-------------|------------------------------------|------------|------------|
| 1 | OVEN DOOR TRIM | 9802 | 9803 |
| 2 | BLACK GLASS PANE-SOLID | 4364 | 4368 |
| 3 | BLACK GLASS HANDLE SUPPORT BRACKET | 0783 | 0783 |
| 4 | BLACK GLASS DOOR INSULATION | 8710 | 8712 |
| 5 | OVEN DOOR LINING- SOLID | 5557 | 5589 |
| 6 | OVEN DOOR HANDLE-(state color) | 6577 | 6578 |
| | OVEN DOOR HANDLE SCREW | 59993 | 59993 |
| 7 | OVEN DOOR HANDLE SPACERS (Black) | 4680 | 4680 |
| 8 | DOOR TRIM BRACKET | 0455 | 0454 |
| 9 | LIFT-OFF HINGE (LEFT) | 8199 | 8198 |
| | LIFT-OFF HINGE (RIGHT) | 8187 | 8198 |
| 10 | RUBBER GLASS SPACER | 60113 | 60113 |



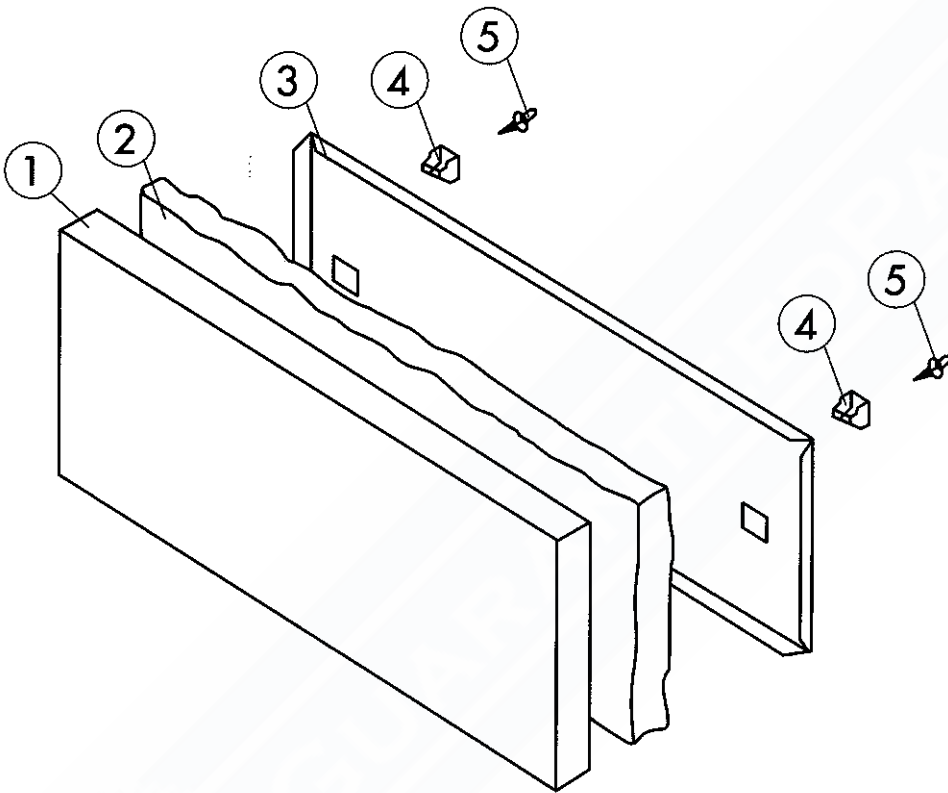
BLACK GLASS OVEN DOOR (WINDOWED)

| Ref. No. | DESCRIPTION | 24 INCH | 30 INCH |
|-------------|------------------------------------|------------|------------|
| 1 | OVEN DOOR TRIM | 9802 | 9803 |
| 2 | BLACK GLASS PANE-WINDOWED | 4365 | 4369 |
| 3 | BLACK GLASS HANDLE SUPPORT BRACKET | 0783 | 0783 |
| 4 | INNER DOOR PANEL | 0663 | 0664 |
| 5 | OVEN DOOR INSULATION | 8709 | 8711 |
| 6 | OVEN DOOR LINING- WINDOWED | 5559 | 5591 |
| 7 | INSIDE GLASS WINDOWED PANE-CLEAR | 4284 | 4284 |
| 8 | OVEN DOOR HANDLE- BLACK | 6577B | 6578B |
| | OVEN DOOR HANDLE SCREW | 59993 | 59993 |
| 9 | OVEN DOOR HANDLE SPACERS (Black) | 4680 | 4680 |
| 10 | LIFT-OFF HINGE | 8188 | 8188 |
| 11 | RUBBER GLASS SPACER | 60113 | 60113 |



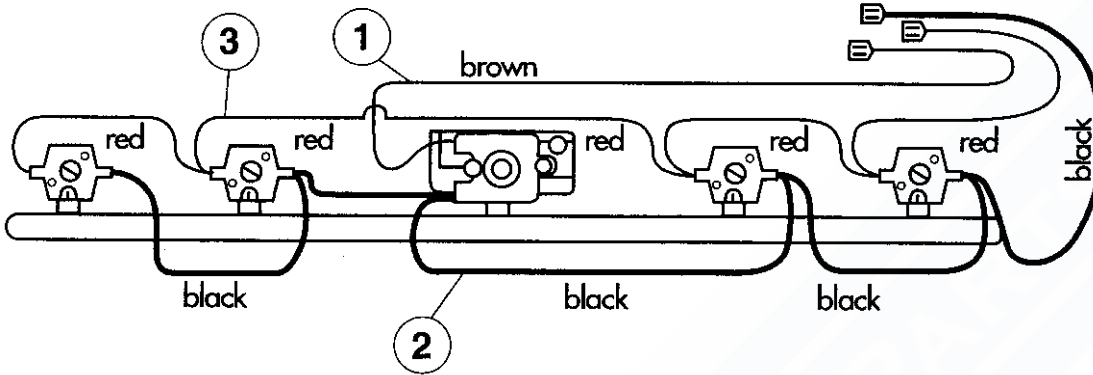
SNAP-ON BROILER DOOR

| Ref. No. | DESCRIPTION | GAS | | | ELECTRIC | | |
|----------|-------------------------------------|---------|---------|---------|----------|---------|---------|
| | | 20 INCH | 24 INCH | 30 INCH | 20 INCH | 24 INCH | 30 INCH |
| 1 | SNAP-ON BROILER PANEL (State Color) | 5399 | 5400 | 5406 | ----- | ----- | ----- |
| | SNAP-ON STORAGE PANEL (State Color) | ----- | ----- | ----- | 5402 | 5403 | 5404 |
| 2 | BROILER INSULATION | 8810 | 8811 | 8811 | ----- | ----- | ----- |
| 3 | SNAP-ON BROILER LINING | 5498 | 5499 | 5509 | ----- | ----- | ----- |
| 4 | SNAP-ON CATCH | 4976 | 4976 | 4976 | 4976 | 4976 | 4976 |
| 5 | SNAP-ON STRIKE PIN | 4878 | 4878 | 4878 | 4878 | 4878 | 4878 |



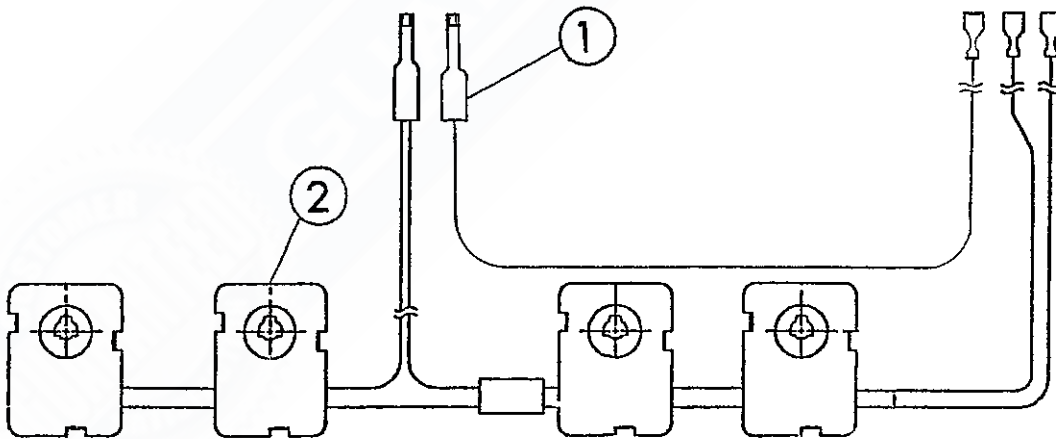
SWITCH WIRES FOR SPARK IGNITION RANGE

| Ref. No. | DESCRIPTION | 20 INCH | 24 INCH | 30 INCH | 36 INCH |
|----------|-------------------------------------|---------|---------|---------|---------|
| 1 | BROWN THERMOSTAT WIRE (FOUR BURNER) | 60081E | 60082C | 60082C | 60106C |
| | BROWN THERMOSTAT WIRE (GRIDDLE) | ----- | ----- | 60081E | 60082C |
| | BROWN THERMOSTAT WIRE (SIX BURNER) | ----- | ----- | ----- | 60106C |
| 2 | BLACK JUMPER WIRE (FOUR BURNER) | 60083D | 60085D | 60087D | 60089D |
| | BLACK JUMPER WIRE (GRIDDLE) | ----- | ----- | 60091D | 60093D |
| | BLACK JUMPER WIRE (SIX BURNER) | ----- | ----- | ----- | 60107D |
| 3 | RED JUMPER WIRE (FOUR BURNER) | 60084C | 60086A | 60088A | 60090A |
| | RED JUMPER WIRE (GRIDDLE) | ----- | ----- | 60092A | 60094A |
| | RED JUMPER WIRE (SIX BURNER) | ----- | ----- | ----- | 60108A |



SPARK IGNITION WIRE HARNESSES

| Ref. No. | DESCRIPTION | 20 INCH | 24 INCH | 30 INCH | 36 INCH | 30 GRIDDLE | 36 GRIDDLE | 36 6-BURNER |
|----------|-----------------------|---------|---------|---------|---------|------------|------------|-------------|
| 1 | BROWN THERMOSTAT WIRE | 60081E | 60082C | 60082C | 60106C | 60081E | 60106C | 60106C |
| 2 | SWITCH WIRE HARNESS | 1261 | 1261 | 1263 | 1265 | 1264 | 1266 | 1267 |



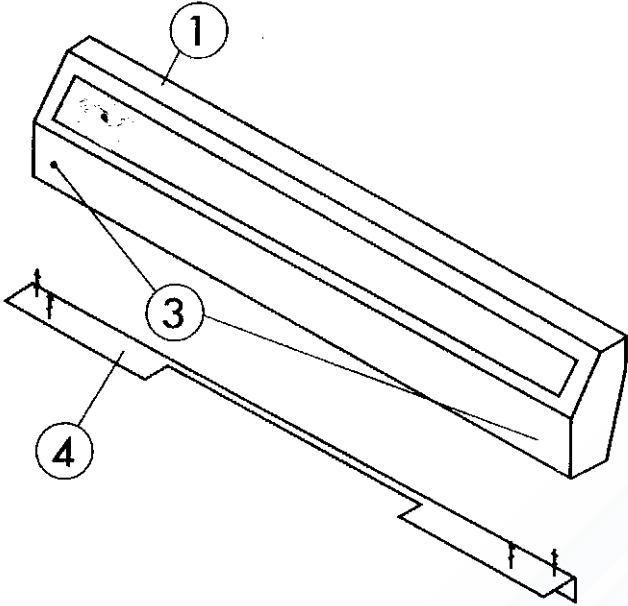
4" PORCELAIN BACKGUARD

| Ref. No. | DESCRIPTION | 20 INCH | 24 INCH | 30 INCH | 36 INCH |
|----------|--|---------|---------|---------|---------|
| 1 | 4" PORCELAIN BACKGUARD (GAS) (State Color) | 9221 | 9241 | 9231 | 9261 |
| | 4" PORCELAIN BACKGUARD (ELEC.) (State Color) | 9223 | 9243 | 9233 | ----- |
| 3 | TOP HINGE PINS | 4876 | 4876 | 4876 | 4876 |
| 4 | BACKGUARD SUPPORT (ELECTRIC RANGE ONLY) | 9250 | 9251 | 9252 | ----- |

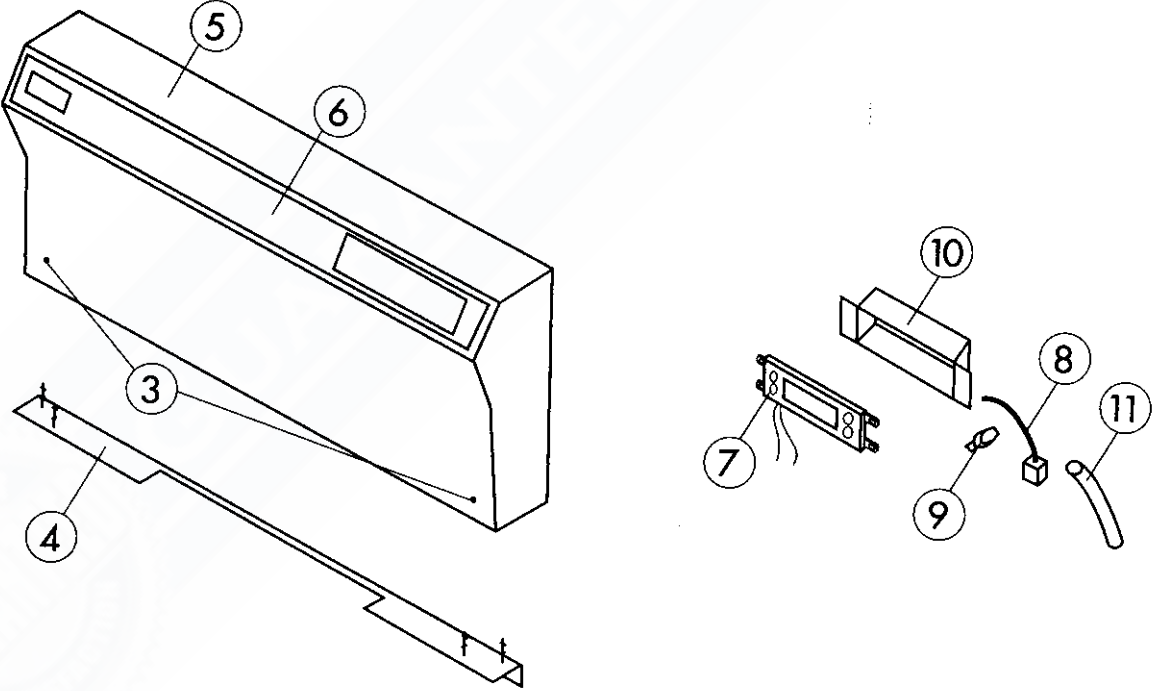
9" PORCELAIN BACKGUARD

| Ref. No. | DESCRIPTION | 20 INCH | 24 INCH | 30 INCH |
|----------|--|---------|---------|---------|
| 3 | TOP HINGE PINS | 4876 | 4876 | 4876 |
| 4 | BACKGUARD SUPPORT (ELECTRIC RANGE ONLY) | 9250 | 9252 | 9253 |
| 5 | 9" PORCELAIN BACKGUARD-NO CLOCK-GAS (State Color) | 9270 | 9278 | 9282 |
| | 9" PORCELAIN BACKGUARD- WITH CLOCK-GAS (State Color) | 9286 | 9287 | ----- |
| | 9" PORCELAIN BACKGUARD-NO CLOCK-ELEC. (State Color) | 9272 | 9280 | ----- |
| | 9" PORCELAIN BACKGUARD-CLOCK-ELEC. (State Color) | 9288 | 9289 | ----- |
| 6 | BACKGUARD DECAL- CLOCK OPENING | 9614 | ----- | ----- |
| 7 | ELECTRONIC CLOCK 120V/60CY | 2600 | 2600 | ----- |
| 8 | HARNESS- GAS | 2952C | 2952C | ----- |
| | HARNESS- ELECTRIC | 2942B | 2942B | ----- |
| 9 | HARNESS STRAIN RELIEF | 4975 | 4975 | ----- |
| 10 | ELECTRONIC CLOCK COVER | 9549 | 9549 | ----- |
| 11 | HARNESS SLEEVING | 60172 | 60172 | ----- |

4" PORCELAIN BACKGUARD

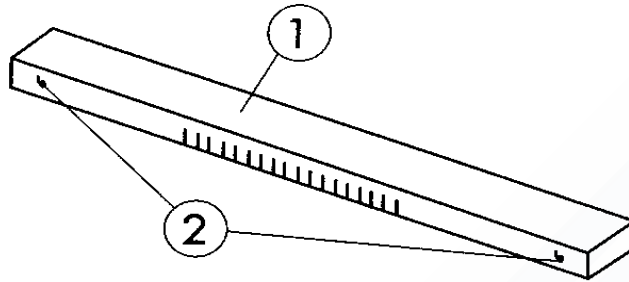


9" PORCELAIN BACKGUARD



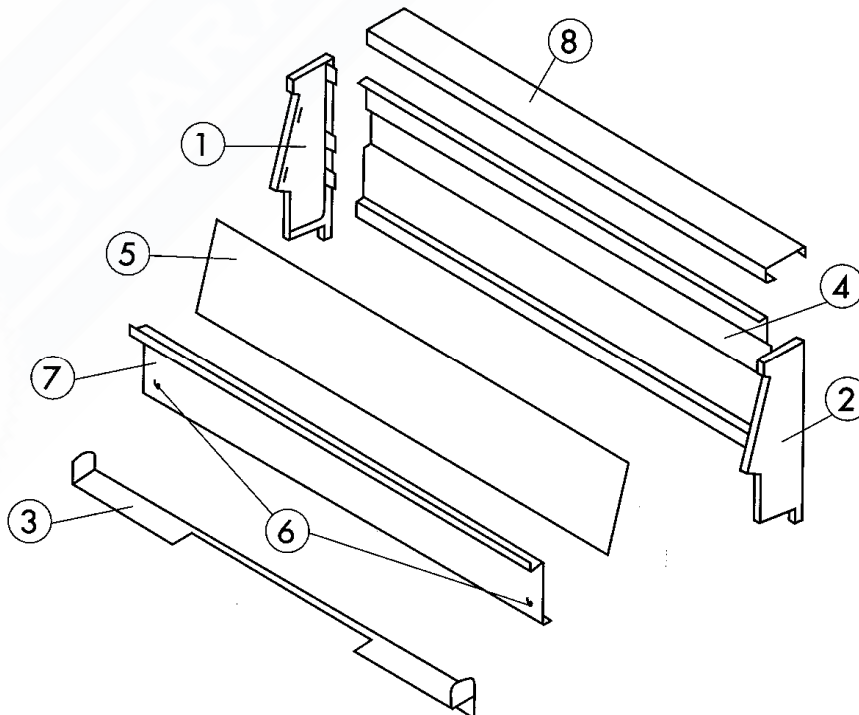
PORCELAIN VENT RAIL

| Ref. No. | DESCRIPTION | 24 INCH | 30 INCH | 36 INCH |
|----------|----------------------|---------|---------|---------|
| 1 | VENT RAIL (GAS) | 9064 | 9065 | 9066 |
| | VENT RAIL (ELECTRIC) | 9067 | 9068 | ----- |
| 2 | TOP HINGE PINS | 4876 | 4876 | 4876 |



10" END CAP BACKGUARD WITHOUT TIMER-DECORATED GLASS

| Ref. No. | DESCRIPTION | 30 INCH | 36 INCH |
|----------|---|---------|---------|
| 1 | LEFT END CAP-BLACK | 9441B | 9441B |
| 2 | RIGHT END CAP- BLACK | 9442B | 9442B |
| 3 | BACKGUARD SUPPORT | 9256 | 9257 |
| 4 | BACKGUARD BACK | 9547 | 9548 |
| 5 | BACKGUARD GLASS PANEL | 4034 | 4035 |
| 6 | TOP HINGE PINS | 4876 | 4876 |
| 7 | PORCELAIN LOWER FRONT PANEL- GAS (State Color) | 9128 | 9140 |
| | PORCELAIN LOWER FRONT PANEL- ELECTRIC (State Color) | 9129 | ----- |
| | LOWER FRONT PANEL SUPPORT- ELECTRIC | 9106 | ----- |
| 8 | PAINTED TOP RAIL- BLACK | 9130B | 9139B |



10" END CAP BACKGUARD WITH ELECTRONIC TIMER-DECORATED GLASS

| Ref. No. | DESCRIPTION | 24 INCH | 30 INCH | 36 INCH |
|-------------|--|------------|------------|------------|
| 1 | PAINTED TOP RAIL – BLACK | 9138B | 9130B | 9139B |
| | PAINTED TOP RAIL – WHITE | ----- | 9130W | ----- |
| 2 | LEFT END CAP – BLACK | 9441B | 9441B | 9441B |
| | LEFT END CAP – WHITE | ----- | 9441W | ----- |
| 3 | RIGHT END CAP – BLACK | 9442B | 9442B | 9442B |
| | RIGHT END CAP- WHITE | ----- | 9442W | ----- |
| 4 | BACKGUARD SUPPORT | 9255 | 9256 | 9257 |
| 5 | BACKGUARD BACK | 9546 | 9547 | 9548 |
| 6 | BACKGUARD GLASS PANEL – BLACK | 4026 | 4027 | 4028 |
| | BACKGUARD GLASS PANEL- WHITE | ----- | 4034W | ----- |
| 7 | PORCELAIN LOWER FRONT PANEL – GAS- (State Color) | 9126 | 9128 | 9140 |
| | PORCELAIN LOWER FRONT PANEL – ELEC.- (State Color) | 9127 | 9129 | ----- |
| | LOWER FRONT PANEL SUPPORT- ELECTRIC | ----- | 9106 | ----- |
| 8 | ELECTRONIC CLOCK/TIMER 120V/60CY | 2603 | 2603 | 2603 |
| | ELECTRONIC CLOCK/TIMER 240V/60CY | 2605 | 2605 | 2605 |
| | ELECTRONIC CLOCK/TIMER 120V/50CY | 2604 | 2604 | 2604 |
| | ELECTRONIC CLOCK/TIMER 240V/50CY | 2606 | 2606 | 2606 |
| 10 | CLOCK/TIMER MINUTE PUSHBUTTON - BLACK | 2595 | 2595 | 2595 |
| | CLOCK/TIMER MINUTE PUSHBUTTON – WHITE | 2595W | 2595W | 2595W |
| 12 | BACKGUARD WIRE HARNESS – GAS | 2955 | 2955 | 2955 |
| | BACKGUARD WIRE HARNESS – ELECTRIC | 2956 | 2956 | 2956 |
| 13 | HARNESS STRAIN RELIEF | 4975 | 4975 | 4975 |
| 14 | TOP HINGE PINS | 4876 | 4876 | 4876 |
| 15 | ELECTRONIC CLOCK HEAT DEFLECTOR – GAS | 2597 | 2597 | 2597 |
| 16 | HARNESS SLEEVING | 59706 | 59706 | 59706 |

10" END CAP BACKGUARD WITH ELECTRONIC TIMER-DECORATED GLASS

